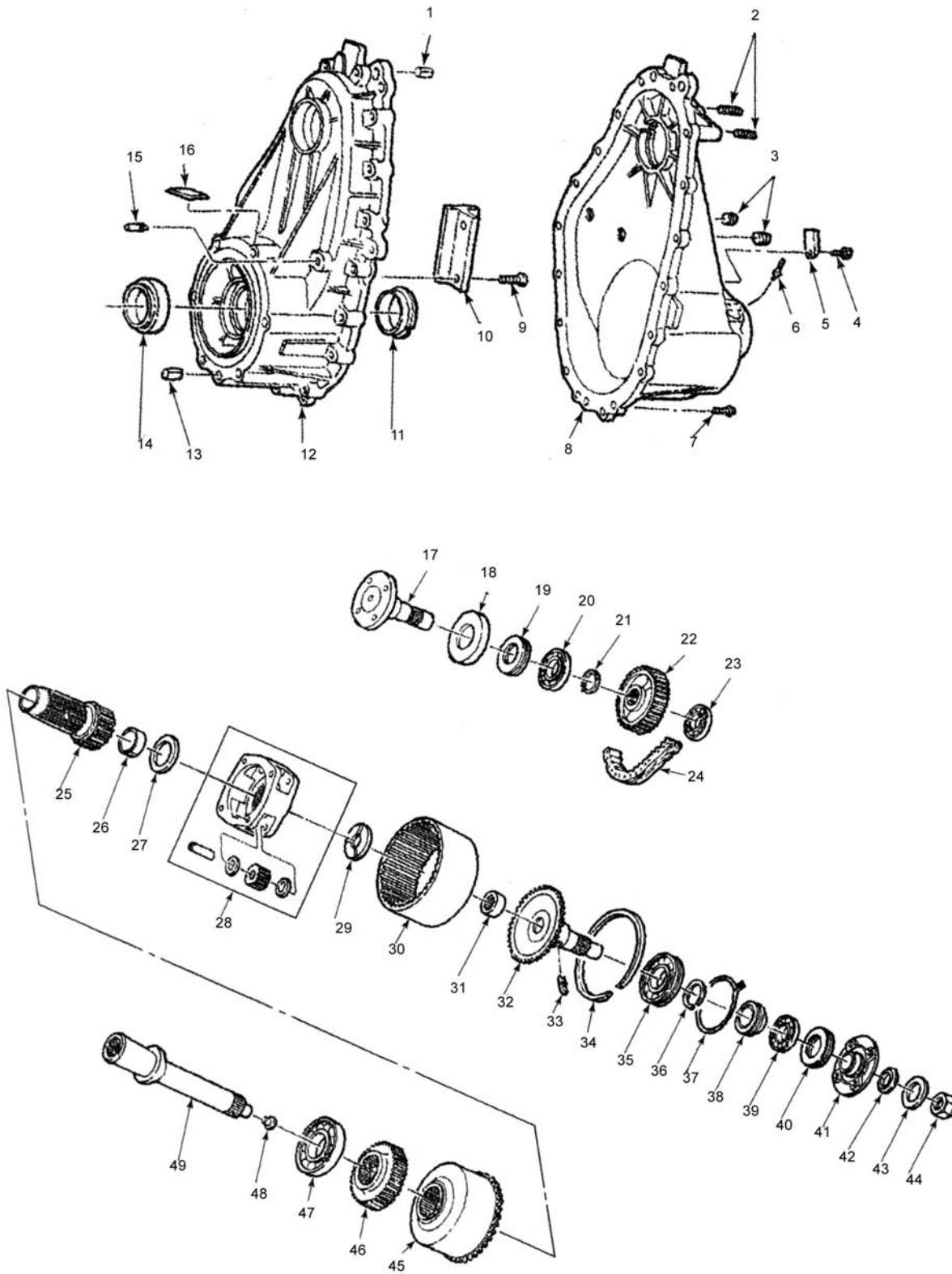


# BW4404 - STYLE



## BW4404 - STYLE (cont.)

| ILL # | MIDWEST #  | REF # | REPLACEMENT PART DESCRIPTION              |
|-------|------------|-------|---|
| 1     | 1300043007 |       | DOWEL PIN                                 |
| 2     | 1300146004 |       | STUD                                      |
| 3     | 1900052008 |       | DRAIN/FILL PLUG                           |
| 4     | 1000191035 |       | BOLT                                      |
| 5     | XXX        |       | I.D. TAB                                  |
| 6     | 1300146003 |       | STUD                                      |
| 7     | 1900183023 |       | BOLT - CASE                               |
| 8     | 4404565001 |       | FRONT CASE HALF ASSY - TAG# 001, 002, 003 |
| 8     | 4404565002 |       | FRONT CASE HALF ASSY - TAG# 004           |
| 8     | 4404565003 |       | FRONT CASE HALF ASSY - TAG# 005, 007      |
| 9     | 1900183008 |       | BOLT                                      |
| 10    | 4400150001 |       | DAMPER                                    |
| 11    | 1900127003 |       | BUSHING - INPUT                           |
| 12    | 4404539001 |       | REAR CASE HALF ASSY - TAG# 001, 005       |
| 12    | 4404539003 |       | REAR CASE HALF ASSY - TAG# 006            |
| 13    | 1000043017 |       | DOWEL PIN                                 |
| 14    | 1900044012 |       | SEAL - INPUT                              |
| 15    | 1345072001 |       | BARB - BREATHER                           |
| 16    | XXX        |       | DECAL                                     |
| 17    | 4404671002 |       | FRONT OUTPUT SHAFT                        |
| 17    | 4404671003 |       | FRONT OUTPUT SHAFT                        |
| 17    | 4404671006 |       | FRONT OUTPUT SHAFT                        |
| 17    | 4404671004 |       | FRONT OUTPUT SHAFT                        |
| 18    | 1350035002 |       | DUST SHIELD                               |
| 19    | 1900044012 |       | OIL SEAL - FRONT OUTPUT                   |
| 20    | 207L       |       | BEARING - FRONT OUTPUT SHAFT              |
| 21    | 1372053002 |       | SPACER                                    |
| 22    | 4404144002 |       | CHAIN SPROCKET, DRIVEN                    |
| 23    | 206L       |       | BEARING - FRONT OUTPUT SHAFT              |
| 24    | HV051      |       | CHAIN                                     |
| 24    | HV070      |       | CHAIN WITH 5 LITER                        |
| 25    | 4404665001 |       | SUN GEAR ASSY                             |
| 26    | 1900127004 |       | SHAFT BUSHING                             |
| 27    | 1900193005 |       | THRUST WASHER                             |
| 28    | 4472659003 |       | PLANETARY ASSY                            |
| 29    | 1900193006 |       | THRUST WASHER                             |
| 30    | 1372162001 |       | RING GEAR, PLANETARY                      |
| 31    | SCH1310    |       | CAGED NEEDLE                              |
| 32    | 4404171002 |       | MAIN SHAFT ASSY - TAG# 001-005            |
| 32    | 4404171003 |       | MAIN SHAFT ASSY - TAG# 006                |
| 33    | 1900034001 |       | OIL SCOOP                                 |
| 34    | 1900139001 |       | RETAINING RING                            |
| 35    | 6206       |       | MAIN SHAFT BEARING - FRONT                |
| 36    | 1900139045 |       | SNAP RING                                 |
| 37    | 1900139057 |       | RETAINING RING                            |
| 38    | 1900110004 |       | SPEEDOMETER DRIVE GEAR                    |
| 39    | 16006      |       | MAIN SHAFT BEARING - REAR                 |
| 40    | 1900044017 |       | OIL SEAL - REAR OUTPUT                    |
| 41    | 4400031009 |       | FLANGE - REAR OUTPUT                      |
| 42    | 1900044002 |       | RUBBER SEAL                               |
| 43    | 1000047016 |       | WASHER                                    |
| 44    | 1900149001 |       | NUT                                       |
| 45    | 4404625001 |       | VISCOUS CLUTCH ASSY                       |
| 46    | 4404144001 |       | CHAIN SPROCKET DRIVE                      |
| 47    | 109L       |       | BALL BEARING, INPUT                       |
| 48    | 1352034002 |       | OIL TUBE                                  |
| 49    | 4404689001 |       | INPUT SHAFT ASSY                          |
| N.I.  | 1900127016 |       | FRONT CASE BUSHING (BETWEEN INPUT & CASE) |

### KITS

T4404R  
K4404

BEARING KIT  
GASKET & SEAL KIT