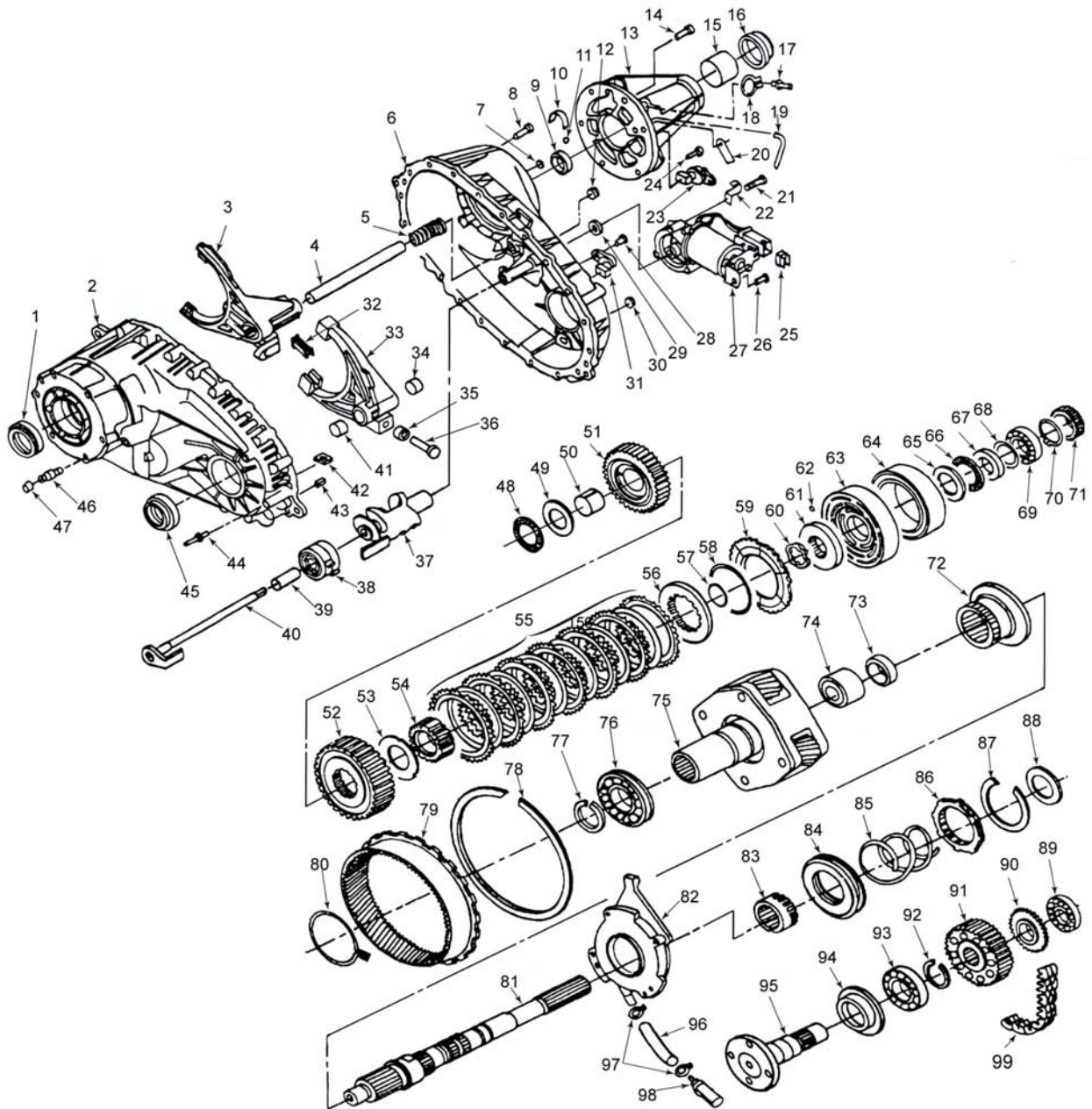


BW4406 - STYLE
REPLACES F150, F250 1996-98 / BRONCO, EXPEDITION 1997-98
ELECTRIC, MECHANICAL, T.D.D.



ILL #	MIDWEST #	REF #	REPLACEMENT PART DESCRIPTION
1	1900044012		INPUT SEAL - 1997 PICK-UP
1	1900044019		INPUT SEAL - ALL OTHERS
2	4406065004		FRONT CASE HALF - (MECH. SHIFT) 1996-97 PICK-UP
2	4406065005		FRONT CASE HALF - (ELEC. SHIFT) 1996-97 PICK-UP
2	4406065006		FRONT CASE HALF T.O.D. 1996-97 BRONCO, EXPEDITION
2	4406065007		FRONT CASE HALF - (MECH. SHIFT) 1998 PICK-UP
2	4406065008		FRONT CASE HALF - (ELEC. SHIFT) 1998-99 PICK-UP
2	4406065009		FRONT CASE HALF T.O.D. 1998-99 EXPEDITION
2	4406065010		FRONT CASE HALF - (MECH. SHIFT) 1999 PICK-UP
3	4406096002		MODE FORK- EXC. T.O.D. - 1996-97 PICK-UP

BW4406 - STYLE (cont.)

ILL #	MIDWEST #	REF #	REPLACEMENT PART DESCRIPTION
3	4406096007		MODE FORK - EXC. T.O.D.- 1998-99 PICK-UP
3	4406096006		MODE FORK T.O.D. - 1996-97 BRONCO, EXPEDITION
3	4406096008		MODE FORK T.O.D. - 1998-99 EXPEDITION
4	4406100001		SHIFT RAIL - ALL - (EXC. BELOW)
4	4406100003		SHIFT RAIL - T.O.D.
5	4400156001		SPRING - FORK RETUR
6	4406539004		REAR CASE HALF ASSY - (MECH. SHIFT) 1996-97 PICK-UP
6	4405539005		REAR CASE HALF ASSY - (ELEC. SHIFT) 1996-97 PICK-UP
6	4406539006		REAR CASE HALF ASSY - TORQUE ON DEMAND 1996-97 BRONCO, EXPEDITION
6	4406539007		REAR CASE HALF ASSY - (MECH. SHIFT) 1998-99 PICK-UP
6	4406539008		REAR CASE HALF ASSY - (ELEC. SHIFT) 1998-99 PICK-UP
6	4406539009		REAR CASE HALF ASSY - T.O.D. 1998-99 EXPEDITION
7	1900016004		SEALING RING
8	1900183009		BOLT
9	1900053014		SPEEDO SPACER (ALL EXC. T.O.D.)
9	1900053018		SPEEDO SPACER (T.O.D.)
10	1900056021		SPEED RETAINER
11	1000109001		BALL, SPEEDO
12	1300052003		PLUG, FILL/DRAIN
13	4406566002		EXTENSION HOUSING - 1996-97 PICK-UP
13	4406566004		EXTENSION HOUSING - 1996-97 BRONCO, EXPEDITION
13	4406566006		EXTENSION HOUSING - 1999 PICK-UP, (MECH. SHIFT)
13	4406566008		EXTENSION HOUSING - 1999 PICK-UP, (ELEC. SHIFT)
13	4406566010		EXTENSION HOUSING - 1998-99 EXPEDITION T.O.D.
13	4406566012		EXTENSION HOUSING - 1998 PICK-UP, (MECH. SHIFT)
14	1900183009		BOLT
15	1356127001		BUSHING, EXTENSION
16	1900044013		SEAL - REAR OUTPUT
17	1900146008		STUD
18	1356014002		ISOLATOR PLATE
20	XXX		I.D. TAG
21	1900183012		BOLT
22	1900056004		J-CLIP
23	4400640019		SENSOR
24	1900183002		SCREW - METRIC
25	1900056009		HARNESS CLIP
26	1900183002		SCREW
27	4406648001		SHIFT MOTOR - T.O.D. - BRONCO, EXPEDITION
27	4406648002		SHIFT MOTOR - PICK-UP
28	1900183012		BOLT
29	1300044001		SEAL, SHIFT SHAFT
30	1300052003		PLUG, FILL/DRAIN
31	1900640001		SENSOR
32	1356235001		FORK PAD (2 REQ.)
33	4406596003		RANGE FORK - 4406-008 AND 009 UNIT ONLY
33	4406596005		RANGE FORK - ALL
33	4406596004		RANGE FORK - ALL - 1996-98
34/41	1900127006		BUSHING
35	1352127001		ROLLER
36	1900043009		PIN - FORK ROLLER
37	4406099002		CAM - PICK-UP
37	4406099003		CAM - (MECH. SHIFT)
37	4406099004		CAM - T.O.D. - BRONCO, EXPEDITION
38	1356156006		TORSIONAL SPRING
39	1356053005		SPACER
40	4406122002		SHIFT SHAFT - PICK-UP - (ELEC. SHIFT)
40	4406122003		SHIFT SHAFT - BRONCO, EXPEDITION - (ELEC. SHIFT)
42	1000012002		MAGNET
43	1900043008		DOWEL PIN
44	1900146007		STUD - SHIELD
45	1900044012		OUTPUT SEAL
46	1345072001		BARB - BREATHER
47	4864W		CAP - BREATHER
48	AXK4060		THRUST BEARING T.O.D. ONLY
49	1900193035		THRUST WASHER (2 REQ.) T.O.D. ONLY

BW4406 - STYLE (cont.)

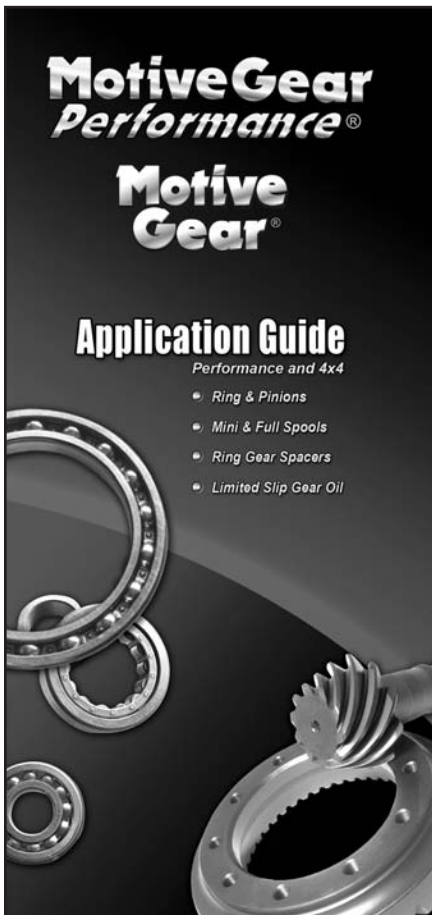
ILL #	MIDWEST #	REF #	REPLACEMENT PART DESCRIPTION
N.I.	1900053015		SPACER (ALL EXC. T.O.D.)
50	1900122012		BUSHING - SPROCKET
51	4406644001		DRIVE SPROCKET ASSY T.O.D. - BUSHING
51	4406144002		DRIVE SPROCKET 1996-98 - 1-1/4" CHAIN, EXC. T.O.D.
51	4406144005		DRIVE SPROCKET 1999-ON - 1" CHAIN
52	4406625002		CLUTCH PACK ASSY - 1997 BRONCO
54	4406090001		SHIFT HUB, MODE 1996-98 PICK-UP
54	4406090002		SHIFT HUB, MODE 1999-ON PICK-UP
55	SEE #52		
57	1900139055		SNAP RING
58	4400248001		WASHER, INSULATOR
59	4405147004		ARMATURE - ALL T.O.D. (EXC. BELOW)
59	4406147003		ARMATURE 1999 EXPEDITION T.O.D.
60	1900156006		WAVE SPRING
61	4405099011		APPLY CAM T.O.D.
62	1900109002		BALL, APPLY CAM (3 REQ.)
63	4406712001		COIL HOUSING 1996-98 PICK-UP
63	4405712003		COIL HOUSING 1999-ON PICK-UP
63	4405712001		COIL HOUSING - ALL T.O.D. (EXC. BELOW)
63	4406712004		COIL HOUSING - 1999 EXPEDITION T.O.D.
64	4400645001		COIL - ALL (ELEC. SHIFT)
64	4400645007		COIL - ALL (MECH. SHIFT)
64	4400645006		COIL - ALL T.O.D.
N.I.	1300149002		NUT
65	1900018003		THRUST RACE - T.O.D.
66	1900132006		THRUST BEARING - T.O.D. ONLY
67	1900018004		THRUST RACE
68	1300139027		SNAP RING (2 REQ.)
69	207L		BEARING, MAIN SHAFT REAR (2 REQ.)
70	1300139027		SNAP RING (2 REQ.)
71	T18-169D		SPEEDO GEAR
71	4406151004		SPEEDO GEAR
71	4406151002		SPEEDO GEAR - ALL (EXC. ABOVE)
72	4407089003		REDUCTION HUB
73	1345127002		BEARING SLEEVE
74	1300132015		NEEDLE BEARING, INPUT POCKET
75	4406659002		PLANETARY ASSY 1996-98 PICK-UP T.O.D.
75	4406659003		PLANETARY ASSY 1996-98 BRONCO, EXPEDITION
75	4406659006		PLANETARY ASSY 1999-ON PICK-UP
75	4406659008		PLANETARY ASSY 1999-ON EXPEDITION
76	211L		BEARING, INPUT
77	1900139042		SNAP RING
78	1300139012		RETAINING RING
79	4407162001		RING GEAR
80	1900139043		RETAINING RING - (EXC. T.O.D.)
80	1900139049		RETAINING RING - T.O.D.
81	4406171005		MAIN SHAFT - PICK-UP TO 1998, EXC. T.O.D.
81	4406171006		MAIN SHAFT - BRONCO, EXPEDITION TO 1998 T.O.D.
81	4406171007		MAIN SHAFT - PICK-UP 1999-ON
81	4406171008		MAIN SHAFT - EXPEDITION 1999-ON
81/82	4406671005		OUTPUT SHAFT & PUMP ASSY
81/82	4406671006		OUTPUT SHAFT & PUMP ASSY, (EXC. T.O.D.)
82	4400508006		OIL PUMP ASSY
83	4406179001		MODE HUB (INNER) - ALL T.O.D. (EXC. BELOW)
83	4406179002		MODE HUB (INNER) - 1999 EXPEDITION T.O.D.
84	4400589003		COLLAR ASSY - ALL EXC. T.O.D. AND BELOW
84	4406589002		COLLAR ASSY - 1999 PICK-UP
84	4406589003		COLLAR ASSY - ALL T.O.D.
85	1900156009		SPRING - ALL (EXC. T.O.D.)
85	1900156008		SPRING - T.O.D.
86	4400147001		ARMATURE
87	1900139044		SNAP RING - ALL (EXC. T.O.D.)
87	1900139050		SNAP RING - T.O.D.
89	207L		FRONT OUTPUT SHAFT BEARING (REAR) (2 REQ.)
90	4406151001		STONE WHEEL
91	4406144001		SPROCKET, DRIVEN - 1-1/4" CHAIN
91	4406144004		SPROCKET, DRIVEN - 1" CHAIN

BW4406 - STYLE (cont.)

ILL #	MIDWEST #	REF #	REPLACEMENT PART DESCRIPTION
92	1900139054		SNAP RING
93	208L		FRONT OUTPUT SHAFT BEARING (FRONT)
94	1300035001		SHIELD
95	4406671007		SHAFT - FRONT OUTPUT
96	1900034009		HOSE, OIL PUMP
97	1900056007		HOSE CLAMP (2 REQ.)
98	4400238003		FILTER
99	HV052		CHAIN - 1-1/4" - 1996-98 EXC. T.O.D.
99	HV053		CHAIN - 1-1/4" - 1996-ON T.O.D.
99	HV066		CHAIN - 1" 1998-ON EXC. T.O.D.
N.I.	4406598001		SHIFT LEVER & SHAFT - (MECH. SHIFT)
N.I.	1300183019		CAM SET SCREW - (MECH. SHIFT)
N.I.	1900156007		SPRING CAM - (MECH. SHIFT)
N.I.	1300127008		ROLLER, SHIFT CAM - (MECH. SHIFT)

KITS

T4406R	BEARING GASKET & SEAL KIT
K4406	GASKET & SEAL KIT



Light Duty & Performance Application Guide

This catalog features stock performance and high performance ring and pinions for street, track, and off road applications; as well as installation components: axles, hubs, gear oils, posi units, lockers, spools, ring gear spacers, bearing kits, gaskets, and more!