

722.600

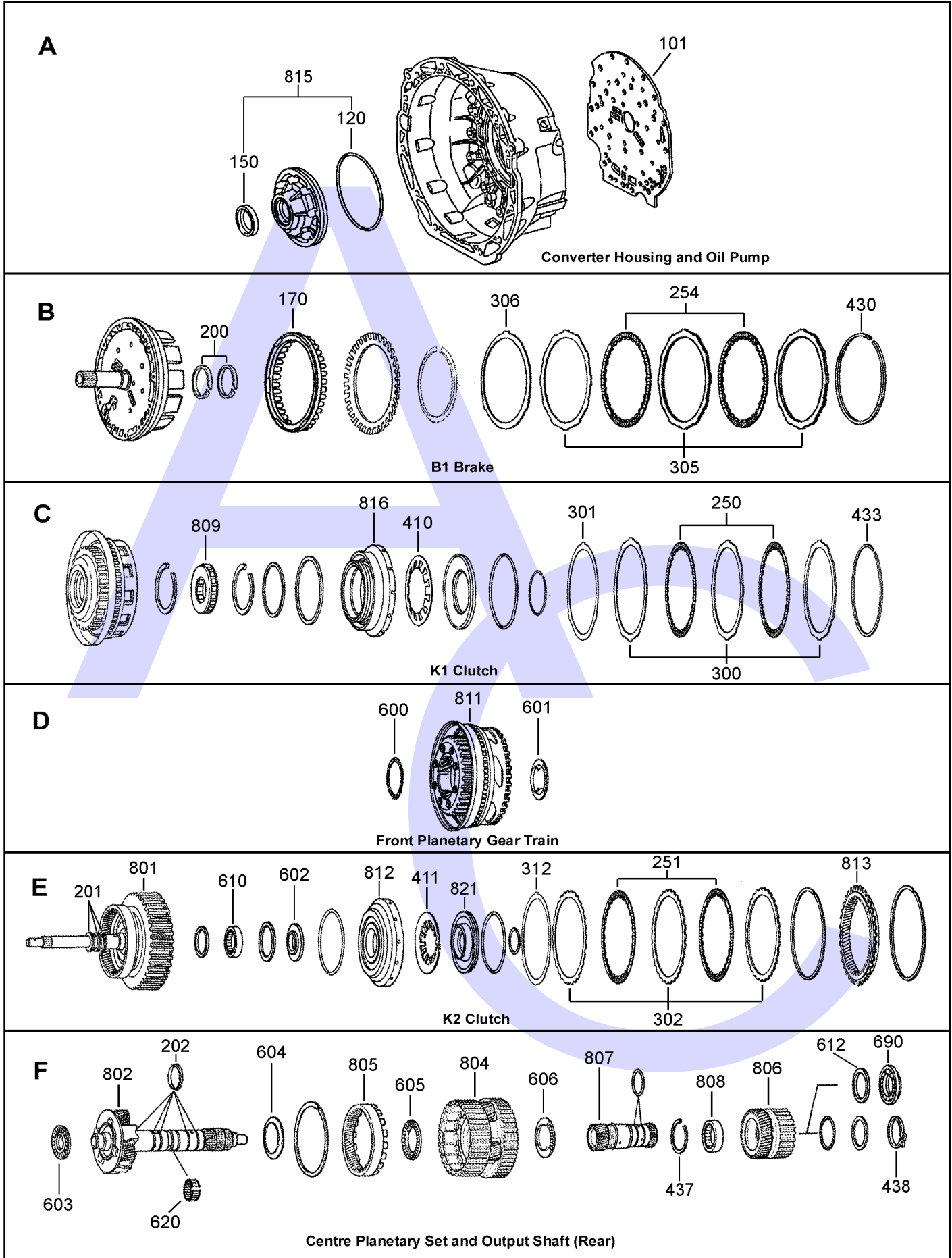
5 SPEED RWD (Electronic Control)



AUTOMATIC CHOICE



THE AUTOMATIC TRANSMISSION PARTS WAREHOUSE



722.600

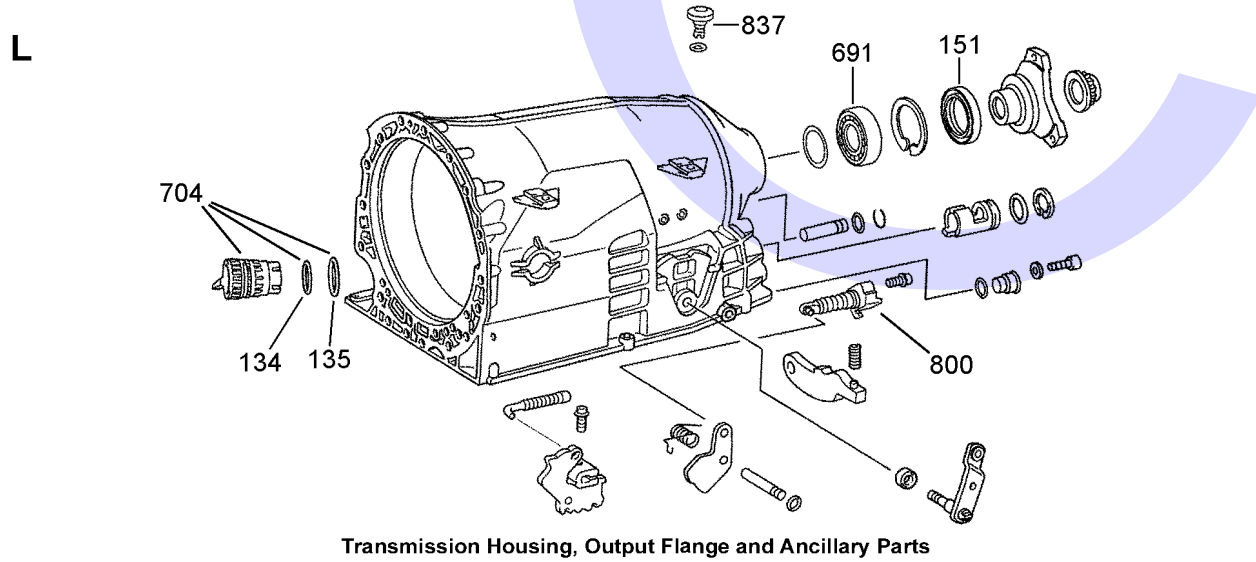
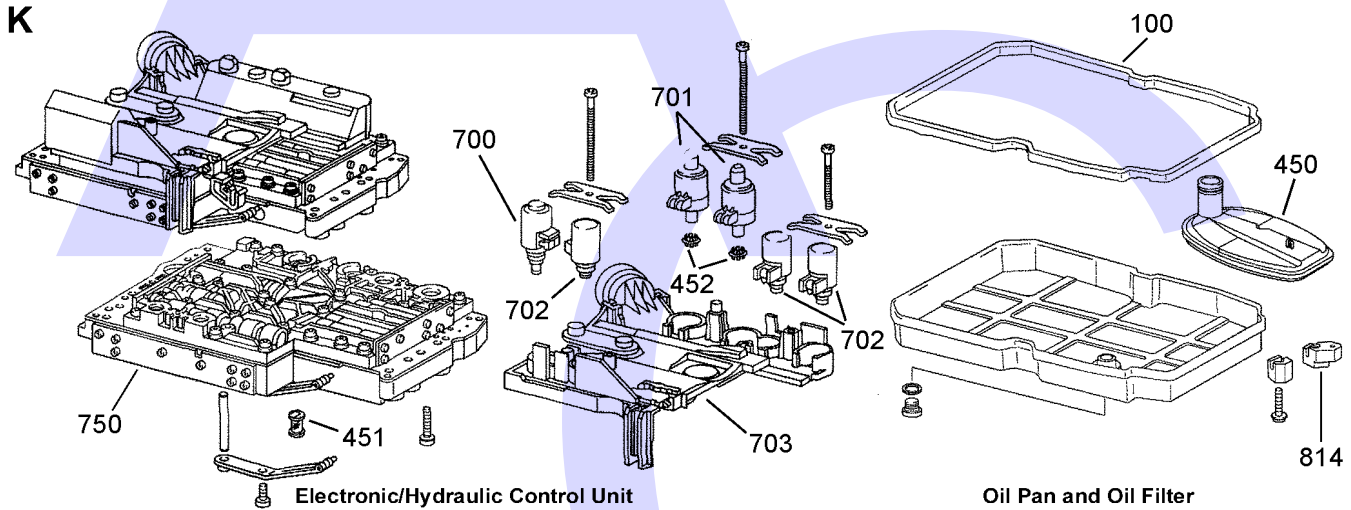
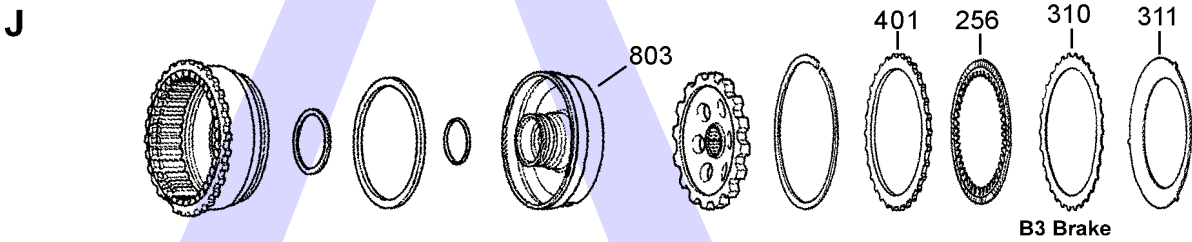
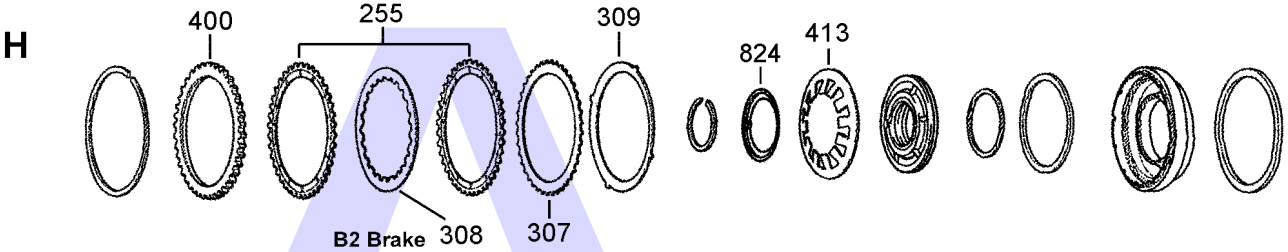
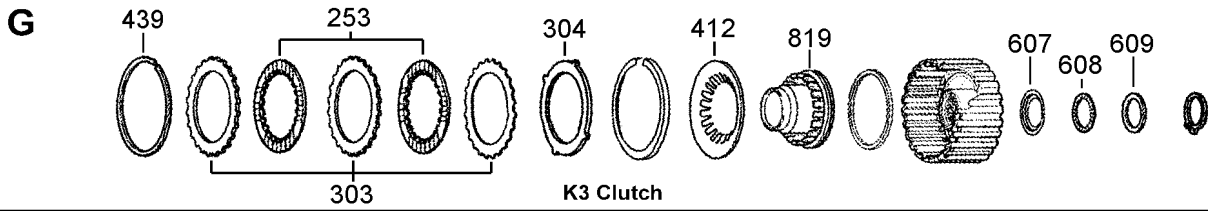
5 SPEED RWD (Electronic Control)



AUTOMATIC CHOICE



THE AUTOMATIC TRANSMISSION PARTS WAREHOUSE



722.600

5 SPEED RWD (Electronic Control)



AUTOMATIC CHOICE



THE AUTOMATIC TRANSMISSION PARTS WAREHOUSE

ILL NO.	DESCRIPTION	YEARS	QTY	PART NO
KITS				
Kit	Overhaul Kit (OEM)	96-ON	1	M140.OHK01
Kit	Overhaul Kit (Aftermarket).....	96-ON	1	M140.OHK02
Kit	Overhaul Kit (Transtec).....	96-ON	1	M140.OHK03
Kit	Overhaul Kit (Aftermarket).....	96-ON	1	M140.OHK06
Kit	Overhaul Kit (Precision).....	96-ON	1	M140.OHK52
Kit	Overhaul Kit (Precision) (With Metal Pump Gasket).....	96-ON	1	M140.OHK51
GASKETS				
100K	Pan Gasket	96-ON	1	M140.GAS01
101A	Pump (Rubber Coated Plate) ...	96-ON	1	M140.GAS02
RUBBER COMPONENTS				
120A	Pump Outer 'O' Ring.....	96-ON	1	M140.OR01
134L	Connector 'O' Ring (Small)	96-ON	1	M140.OR02
135L	Connector 'O' Ring (Large).....	96-ON	1	M140.OR03
METAL CLAD SEALS				
150A	Torque Converter Seal.....	96-ON	1	MERC126.MCS01
151L	Extension Seal (42mm x 62mm x 8/9mm).....	96-ON	1	M140.MCS02
MOULDED PISTONS				
170B	Pump Moulded Piston (Fits all Codes up to 722.625 & Codes 722.626, 628, 631, 632, 633, 634, 635, 636, 639, 640, 641, 642, 643, 661, 662, 663, 664, 665, 666, 669, 670, 673, 681, 696, Up To Serial No. 3 947439)	96-ON	1	M140.PIS01
170B	Pump Moulded Piston (Fits Codes 722.644, 645, 667, 668, 671, 672, 674, 675, 676, 680, 682, 695 All Serial No's. Also Fits Codes 722.626, 628, 631, 632, 633, 634, 635, 636, 639, 640, 641, 642, 643, 661, 662, 663, 664, 665, 666, 669, 670, 673, 681, 696, From Serial No. 3 947440)	96-ON	1	M140.PIS05
SHAFT SEALING RINGS				
Kit	Shaft Sealing Ring (Transtec)...	96-ON	1	M140.SRK02
Kit	Shaft Sealing Ring (Precision)..	96-ON	1	M140.SRK01
200B	Pump Stator (Rear).....	96-ON	2	M140.SSR01
201E	Input Shaft	96-ON	3	M140.SSR02
202F	Output Shaft.....	96-ON	5	M140.SSR03
FRICITION PLATES				
Kit	Friction Plate (Borg Warner) (With Double sided Frictions)....	96-97	1	M140.FRK01
Kit	Friction Plate (Rabestos) (With Double sided Frictions)....	96-97	1	M140.FRK21
Kit	Friction Plate (Alto) (With Double Sided Frictions) (Has Early Style Thin 1.6mm 'K3' Frictions)	96-97	1	M140.FRK51
Kit	Friction Plate (Alto) (With Double Sided Frictions) (Contains Both Large & Small I.D. 'K2' Frictions)	98-04	1	M140.FRK52
Kit	Friction Plate (Alto) (With Double Sided Frictions) (Contains Both Thin 1.60mm & Thick 2.17mm 'K2' Frictions) .	96-ON	1	M140.FRK55

ILL NO.	DESCRIPTION	YEARS	QTY	PART NO
FRICITION PLATES Cont...				
Kit	Friction Plate (Rabestos) (With Single sided Frictions)	04-ON	1	M140.FRK22
Kit	Friction Plate (Aftermarket) (With Single sided Frictions)	04-ON	1	M140.FRK02
Kit	Friction Plate (Alto) (With Single sided Frictions)	04-ON	1	M140.FRK54
250C	'K1' Clutch Internal Teeth (173mm OD x 2.17mm x 30T) (To Serial No 3 947439)	96-ON	3-6	M140.FRP01
250C	'K1' Clutch Internal Teeth (Raybestos) (173mm OD x 2.17mm x 30T) (To Serial No 3 947439)	96-ON	3-6	M140.FRP21
250C	'K1' Clutch Internal Teeth (From Serial No 3 947440) (Single Sided Friction) (173mm OD x 2.07mm x 30T) ..	96-ON	3-6	M140.FRP09
250C	'K1' Clutch Internal Teeth (Raybestos) (From Serial No 3 947440) (Single Sided Friction) (173mm OD x 2.07mm x 30T) ..	96-ON	3-6	M140.FRP28
300C	'K1' Clutch External Teeth (From Serial No. 3 947440) (Single Sided Friction) (154mm I.D. x 2.07mm x 12T) ..	96-ON	3-6	M140.FRP07
300C	'K1' Clutch External Teeth (Raybestos) (From Serial No. 3 947440) (Single Sided Friction) (154mm I.D. x 2.07mm x 12T) ..	96-ON	3-6	M140.FRP27
251E	'K2' Clutch Internal Teeth (165mm OD x 2.17mm x 36T x 12.60mm Wide) (600-618,662, 664, 665)	96-ON	4-6	M140.FRP02
251E	'K2' Clutch Internal Teeth (Raybestos) (165mm OD x 2.17mm x 36T x 12.60mm Wide) (600-618,662, 664, 665)	96-ON	4-6	M140.FRP22
251E	'K2' Clutch Internal Teeth (165mm OD x 2.17mm x 36T x 10.00mm Wide) (620-636, 650, 661,663, 666, 669).....	96-ON	4-6	M140.FRP06
251E	'K2' Clutch Internal Teeth (Raybestos) (165mm OD x 2.17mm x 36T x 10.00mm Wide) (620-636, 650, 661,663, 666, 669).....	96-ON	4-6	M140.FRP26
253G	'K3' Clutch Internal Teeth (115mm OD x 1.60mm x 24T) ..	96-97	3-4	M140.FRP60
253G	'K3' Clutch Internal Teeth (to Serial No. 3 947439) (Double Sided Friction) (115mm O.D. x 2.17mm x 24T) Also fits Jag 650 code This plate has been superceded several times, earlier plates are 1.6mm thick, to correct the end float the two selective steels, which will probably measure 3.5mm need to be changed to 2.8mm Part No. M140.STP12.....	96-ON	3-5	M140.FRP03
253G	'K3' Clutch Internal Teeth (Raybestos) (to Serial No. 3 947439) (Double Sided Friction) (115mm O.D. x 2.17mm x 24T) Also fits Jag 650 code This plate has been superceded several times, earlier plates are 1.6mm thick, to correct the end float the two selective steels, which will probably measure 3.5mm need to be changed to 2.8mm Part No. M140.STP12.....	96-ON	3-5	M140.FRP23
253G	'K3' Clutch Internal Teeth (From Serial No. 3 947440) (Single Sided Friction) (115mm O.D. x 2.07mm x 24T)	96-ON	3-5	M140.FRP12

722.600

5 SPEED RWD (Electronic Control)



AUTOMATIC CHOICE



THE AUTOMATIC TRANSMISSION PARTS WAREHOUSE

ILL NO.	DESCRIPTION	YEARS	QTY	PART NO
FRICITION PLATES Cont...				
253G	'K3' Clutch Internal Teeth (Raybestos) (From Serial No. 3 947440) (Single Sided Friction) (115mm O.D. x 2.07mm x 24T)	96-ON	3-5	M140.FRP29
303G	'K3' Clutch External Teeth (From Serial No. 3 947440) (Single Sided Friction) (87mm ID x 2.07mm x 24T)	96-ON	3-5	M140.FRP13
303G	'K3' Clutch External Teeth (Raybestos) (From Serial No. 3 947440) (Single Sided Friction) (87mm ID x 2.07mm x 24T)	96-ON	3-5	M140.FRP30
254B	'B1' Brake Internal Teeth (To Serial No 3 947439) (Double Sided Friction) (173mm OD x 2.17mm x 30T)	96-ON	2-4	M140.FRP01
254B	'B1' Brake Internal Teeth (Raybestos) (To Serial No 3 947439) (Double Sided Friction) (173mm OD x 2.17mm x 30T)	96-ON	2-4	M140.FRP21
254B	'B1' Brake Internal Teeth (From Serial No 3 947440) (Single Sided Friction) (173mm OD x 2.07mm x 30T)	96-ON	2-4	M140.FRP09
254B	'B1' Brake Internal Teeth (Raybestos) (From Serial No 3 947440) (Single Sided Friction) (173mm OD x 2.07mm x 30T)	96-ON	2-4	M140.FRP28
305B	'B1' Brake External Teeth (From Serial No. 3 947440) (Single Sided Friction) (154mm ID x 2.07mm x 12T)	96-ON	2-4	M140.FRP07
305B	'B1' Brake External Teeth (Raybestos) (From Serial No. 3 947440) (Single Sided Friction) (154mm ID x 2.07mm x 12T)	96-ON	2-4	M140.FRP27
255H	'B2' Brake External Teeth (132mm ID x 1.65mm x 40T)	96-ON	4-5	M140.FRP04
255H	'B2' Brake External Teeth (Raybestos) (132mm ID x 1.65mm x 40T)	96-ON	4-5	M140.FRP24
256J	'B3' Brake Internal Teeth (180mm O.D. x 1.65mm x 46T)	96-ON	3-5	M140.FRP05
256J	'B3' Brake Internal Teeth (Raybestos) (180mm O.D. x 1.65mm x 46T)	96-ON	3-5	M140.FRP25
STEEL PLATES				
Kit	Steel Plate (Alto)	96-97	1	M140.STK51
Kit	Steel Plate (Alto)	98-01	1	M140.STK52
Kit	Steel Plate (Alto)	02-ON	1	M140.STK53
300C	'K1' Clutch External Teeth (154mm ID x 1.80mm x 12T)	96-ON	1	M140.STP01
300C	'K1' Clutch External Teeth (To Serial No 1 596204) (154mm ID x 3.50mm x 12T)	96-ON	2	M140.STP03
300C	'K1' Clutch External Teeth (From Ser No. 1 596205 to 3 947439) (154mm ID x 2.80mm x 12T)	96-ON	2	M140.STP02
300C	'K1' Clutch External Teeth (From Serial No. 3 947440) (One Sided Friction) (154mm ID x 2.70mm x 12T)	96-ON	3-6	M140.FRP07
300C	'K1' Clutch External Teeth (154mm ID x 4.00mm x 12T)	96-ON	1	M140.STP04
301C	'K1' Clutch Wavy Steel (154mm ID x 3 Ext. Teeth)	96-ON	1	M140.STP05
302E	'K2' Clutch External Teeth (146mm ID x 1.80mm x 30T)	96-ON	AR	M140.STP06
302E	'K2' Clutch External Teeth (146mm ID x 2.80mm x 30T)	96-ON	AR	M140.STP07
302E	'K2' Clutch External Teeth (146mm ID x 3.50mm x 30)	96-ON	AR	M140.STP08
302E	'K2' Clutch External Teeth (146mm ID x 4.00mm x 30T)	96-ON	AR	M140.STP09

ILL NO.	DESCRIPTION	YEARS	QTY	PART NO
STEEL PLATES Cont...				
303G	'K3' Clutch External Teeth (87mm ID x 1.80mm x 24T)	96-ON	AR	M140.STP11
303G	'K3' Clutch (External Teeth) (To Serial No. 3 947440) (87mm ID x 2.80mm x 24T)	96-ON	2-4	M140.STP12
303G	'K3' Clutch External Teeth (From Serial No. 3 947440) (Single Sided Friction) (87mm ID x 2.07mm x 24T)	96-ON	3-5	M140.FRP13
303G	'K3' Clutch External Teeth (87mm ID x 3.50mm x 24T)	96-ON	AR	M140.STP19
303G	'K3' Clutch External Teeth (87mm ID x 4.00mm x 24T)	96-ON	AR	M140.STP13
304G	'K3' Dished Steel (88mm ID x 4 Ext. Teeth)	96-ON	1	M140.STP10
305B	'B1' Brake External Teeth (154mm ID x 1.80mm x 12T)	96-ON	AR	M140.STP01
305B	'B1' Brake External Teeth (To Serial No 1 596204) (154mm ID x 3.50mm x 12T)	96-ON	1-3	M140.STP03
305B	'B1' Brake External Teeth (From Ser No. 1 596205 to 3 947439) (154mm ID x 2.80mm x 12T)	96-ON	1-3	M140.STP02
305B	'B1' Brake External Teeth (From Serial No. 3 947440) (Single Sided Friction) (154mm ID x 2.70mm x 12T)	96-ON	2-4	M140.FRP07
305B	'B1' Brake External Teeth (154mm ID x 4.00mm x 12T)	96-ON	AR	M140.STP04
306B	'B1' Brake Wavy Steel (154mm ID x 3 Ext. Teeth)	96-ON	1	M140.STP05
307H	'B2' Brake External Teeth (132mm ID x 1.80mm x 40T)	96-ON	AR	M140.STP15
308H	'B2' Brake Internal Teeth (155mm OD x 1.80mm x 24T)	96-ON	AR	M140.STP16
309H	'B2' Brake Wavy Steel ()	96-ON	1	M140.STP14
310J	'B3' Brake External Teeth (155mm ID x 1.80mm x 30T)	96-ON	AR	M140.STP18
311J	'B3' Brake Wavy Steel (155mm I.D. x 3 Ext. Teeth)	96-ON	1	M140.STP17
312E	'K2' Clutch, Dished Steel	96-ON	1	M140.STP22
PRESSURE PLATES				
400H	'B2' Brake P. Plate (6.50mm)	96-ON	1	M140.PP01
401J	'B3' Brake P. Plate	96-ON	1	M140.PP02
SPRINGS & CIRCLIPS				
410C	'K1' Clutch Diaphragm	96-ON	1	M140.DIA01
411E	'K2' Clutch Diaphragm	96-ON	1	M140.DIA02
412G	'K3' Clutch Diaphragm	96-ON	1	M140.DIA03
413H	'B2' Brake Diaphragm	96-ON	1	M140.DIA04
NI	Modified Pressure Reg Spring	96-ON	1	M140.SPR01
430B	Circlip, Retaining 'B1' Brake (3.70mm Thick)	96-ON	1	M140.CIR04
433C	Circlip, Retaining 'K1' Clutch (3.70mm Thick)	96-ON	1	M140.CIR04
437F	Circlip OWC Retaining	96-ON	1	M140.CIR01
438F	Circlip Retaining, Rear of Sungear	96-ON	1	M140.CIR02
439G	Retaining Circlip 'K3' Clutch	96-ON	1	M140.CIR03

722.600

5 SPEED RWD (Electronic Control)



AUTOMATIC CHOICE



THE AUTOMATIC TRANSMISSION PARTS WAREHOUSE

ILL NO.	DESCRIPTION	YEARS	QTY	PART NO
FILTERS				
450K	Oil Pan Filter	96-ON	1	M140.FIL01
451K	Conical Valve Body Filter	96-ON	2	M140.FIL02
452K	Sonnax Filter	96-ON	2	M140.FIL03
NI	Filter Kit	96-ON	1	M140.FILKIT01
BUSHINGS				
NI	Converter Bush	96-ON	1	M140.BUS01
NI	Pump Stator rear Bush (Sonnax®)	96-ON	1	M140.BUS04
NI	'K2' Rear Bushing (Early Style) (not for use with M140.PL01)	-06/99	1	M140.BUS02
NI	'K2' Rear Bushing Kit Contains 1 x Std Early Bush & 1 x Modified Early Bush to Allow Use of Late Planetary With Early Drum	96-ON	1	M140.BUS03
THRUST WASHERS & BEARINGS				
Kit	Thrust Washer Kit Rear Planetary (Small)	96-ON	1	M140.TK01
Kit	Thrust Washer Kit Rear Planetary (Large 14mm ID)	96-ON	1	M140.TK02
600D	Radial Bearing Front Planet (Front)	96-ON	1	M140.TOR01
601D	Radial Bearing Assy Front Planet (Rear)	96-ON	1	M140.TOR02
602E	Radial Bearing Assy 'K2' Drum	96-ON	1	M140.TOR03
603F	Radial Bearing Assy (Input to Output Shaft)	96-ON	1	M140.TOR04
604F	Radial Bearing Track Middle to Rear Planet (722.600-618,662,664,665)	96-ON	1	M140.TOR05
604F	Radial Bearing Track Middle to Rear Planet (722.620-636,661,663,666,669)	96-ON	1	M140.TOR08
605F	Radial Bearing Middle to Rear Planet (722.600-618,662,664,665)	96-ON	1	M140.TOR06
605F	Radial Bearing Middle to Rear Planet (722.620-636,661,663,666,669)	96-ON	1	M140.TOR09
606F	Radial Bearing Rear Planet (Rear) (722.600-618,662,664,665)	96-ON	1	M140.TOR07
606F	Radial Bearing Rear Planet (Rear) (722.620-636,661,663,666,669)	96-ON	1	M140.TOR10
607G	Radial Bearing Track Rear of 'K3' (Front)	96-ON	1	M140.TOR11
608G	Radial Bearing Rear of 'K3'	96-ON	1	M140.TOR12
609G	Radial Bearing Track (Selective) Rear of 'K3' (3.10mm Thick)	96-ON	1	M140.TOR13
	(3.40mm Thick)	96-ON	1	M140.TOR14
	(3.70mm Thick)	96-ON	1	M140.TOR15
610E	Needle Bearing 'K2' Drum	6/99-ON	1	M140.BE03
610E	Needle Bearing & Seal Kit 'K2' Drum (Sonnax®)	6/99-ON	1	M140.THW02
612F	Spacer Washer (Fits Inside Late Style Sun Gear)	96-ON	1	M140.THW01
620F	Needle Bearing Split Cage (O. Shaft)	96-ON	1	M140.BE01
690F	Ball Race (Inside Rear Sun Gear)	96-ON	1	M140.BE05
691L	Ball Bearing, Output Shaft	96-ON	1	M140.BE04

ILL NO.	DESCRIPTION	YEARS	QTY	PART NO
ELECTRICAL COMPONENTS				
700K	Solenoid (Lock Up)	96-ON	1	M140.SOL01
701K	Solenoid (Shift Pressure & Modulator Pressure)	96-ON	2	M140.SOL02
702K	Solenoid (Shift)	96-ON	3	M140.SOL03
703K	Loom & Solenoid Holder	96-ON	1	M140.ELE01
704L	Adaptor Case to Sol Connector	96-ON	1	M140.ELE02
VALVE BODY PARTS				
750K	Valve Body Assembly (Box Code Required)	96-ON	1	M140.VB01
NI	Modified Pressure Reg Spring	96-99	1	M140.SPR01
NI	Sleeve Set, Overlap Valves (Sonnax® Click Here for Info)	96-ON	1	M140.VA01
NI	Valve Body Check Valve	96-ON	1	M140.VA02
NI	3-4 Overlap Control Sleeve (Sonnax® Click Here for Info)	96-ON	1	M140.VA03
NI	Outer Pressure Regulator Sleeve (Requires Tool M140.VA06 & V.B. Fixture AG4.VA05) (Sonnax® Click Here for Info)	96-ON	1	M140.VA04
NI	Tool for M140.VA04 (Sonnax®)	96-ON	1	M140.VA06
Kit	TC Lockup Clutch Regulator Valve Kit (Requires Tool M140.VA07 & V.B. Fixture AG4.VA05) (Sonnax® Click Here for Info)	96-ON	1	M140.VA05
NI	Tool for M140.VA05 (Sonnax®)	96-ON	1	M140.VA07
Kit	Pressure Regulator Valve Kit (Requires Tool M140.VA09 & V.B. Fixture AG4.VA05) (Sonnax® Click Here for Info)	96-ON	1	M140.VA08
NI	Tool for M140.VA08 (Sonnax®)	96-ON	1	M140.VA09
HARD PARTS				
800L	Cable End Adaptor (Park Lock Inhibit) Early Type	(Click for Illustration) 96-ON	1	M140.CAB01
800L	Cable End Adaptor (Park Lock Inhibit) Late Type	(Click for Illustration) 96-ON	1	M140.CAB02
801E	'K2' Clutch Drum & Input Shaft (1) (601-618, 662,664 & 665)	96-ON	1	M140.DRU01
801E	'K2' Clutch Drum & Input Shaft (1) (620-636, 661, 663, 666, 669)	96-ON	1	M140.DRU02
801E	'K2' Clutch Drum & Input Shaft (722.699)	96-ON	1	M140.DRU04
802F	Output Shaft & Planetary (1) (601-618, 662,664 & 665)	96-ON	1	M140.PL01
802F	Output Shaft & Planetary (1) (620-636, 661, 663, 666, 669)	96-ON	1	M140.PL02
(1)	Due to design changes between early and late units, if your unit is of the early design where a bronze bush is fitted to the 'K2' clutch drum, the following parts must be Matched.			
	M140.DRU01 With M140.PL01			
	M140.DRU02 With M140.PL02			
803J	Oil Disribution Hub/Piston Holder (Rear of Case)	96-ON	1	M140.HUB01
804F	Centre Planetary Assy (601-618, 662, 664, 665)	96-ON	1	M140.PL03
804F	Centre Planetary Assy (620-636, 661, 663, 666, 669)	96-ON	1	M140.PL04
804F	Centre Planetary Assy (As Of 2 094082) (620-635, 640-642, 646,661, 663, 666, 669)	96-ON	1	M140.PL08

722.600

5 SPEED RWD (Electronic Control)



AUTOMATIC CHOICE



THE AUTOMATIC TRANSMISSION PARTS WAREHOUSE

ILL NO.	DESCRIPTION	YEARS	QTY	PART NO
HARD PARTS Cont...				
804F	Centre Planetary Assy (639, 644, 670-677, 689)	96-ON	1	M140.PL08
804F	Centre Planetary Assy (As Of 2 094082) (636 up to 2002)	96-ON	1	M140.PL08
804F	Centre Planetary Assy (722.699 Serial No. 102731 Up 19T Sun Gear)	96-ON	1	M140.PL07
805F	Anulus (600-618, 662, 664, 665)	96-ON	1	M140.GE01
805F	Anulus (620-636, 661, 663, 666, 669) ..	96-ON	1	M140.GE02
806F	Sun Gear-Centre Planet Outer (600-618, 662, 664, 665)	96-ON	1	M140.SUN01
806F	Sun Gear-Centre Planet Outer (620-636, 661, 663, 666, 669) ..	96-ON	1	M140.SUN03
807F	Sun Gear-Centre Planet Inner (600-618, 662, 664, 665)	96-ON	1	M140.SUN02
807F	Sun Gear-Centre Planet Inner (620-636, 661, 663, 666, 669) ..	96-ON	1	M140.SUN04
808F	One Way Clutch Assy	96-ON	1	M140.OWC01
809C	One Way Clutch Assy Front (16 Cams) (600-618, 662, 664, 665)	96-ON	1	M140.OWC02
809C	One Way Clutch Assy Front (20 Cams) (620-636, 661, 663, 666, 669) ..	96-ON	1	M140.OWC03
811D	Front Planetary Assy (600-618, 662, 664, 665)	96-ON	1	M140.PL05
811D	Front Planetary Assy (620-636, 661, 663, 666, 669) ..	96-ON	1	M140.PL06
812E	Piston 'K2' Clutch (600-618, 662, 664, 665)	96-ON	1	M140.PIS02
812E	Piston 'K2' Clutch (620-636, 661, 663, 666, 669) ..	96-ON	1	M140.PIS03
813E	Front Annulus (600-618, 662, 664, 665)	96-ON	1	M140.GE03
813E	Front Annulus (620-636, 661, 663, 666, 669) ..	96-ON	1	M140.GE04
814K	Aluminium Oil Pan Retaining Bracket (Offset 1 per Trans)	96-ON	1	M140.RET09
815A	Front Pump Assy	96-ON	1	M140.PUM01
816C	Piston, 'K1' Clutch	96-ON	1	M140.PIS04
819G	Piston, 'K3' Clutch	96-ON	1	M140.PIS06
821E	Retainer, 'K2' Diaphragm	96-ON	1	M140.RET01
824H	Retainer, 'B2' Diaphragm	96-ON	1	M140.RET02
837L	Transmission Breather	96-ON	1	MERC.124.BRE01
TOOLS & MANUALS				
NI	ATSG Repair Manual	96-ON	1	M140.MAN01
NI	ATSG Repair Manual (CD)	96-ON	1	M140.MAN02
NI	Dipstick for Checking Fluid Level (OEM) (All Except 220/270CDi Engine)	96-ON	1	M140.DIP01
NI	Dipstick for Checking Fluid Level (OEM) (220CDi Engine)	96-ON	1	M140.DIP03
NI	Dipstick for Checking Fluid Level (OEM) (270CDi Engine)	96-ON	1	M140.DIP04
NI	Test Plate for Hydraulic Tester TOOL.139	96-ON	1	M140.TOOL01
NI	Universal Valve Body Fixture (Sonnax® Click Here for Info) ...	96-ON	1	AG4.VA05

ILL NO.	DESCRIPTION	YEARS	QTY	PART NO
---------	-------------	-------	-----	---------