

# 722.700

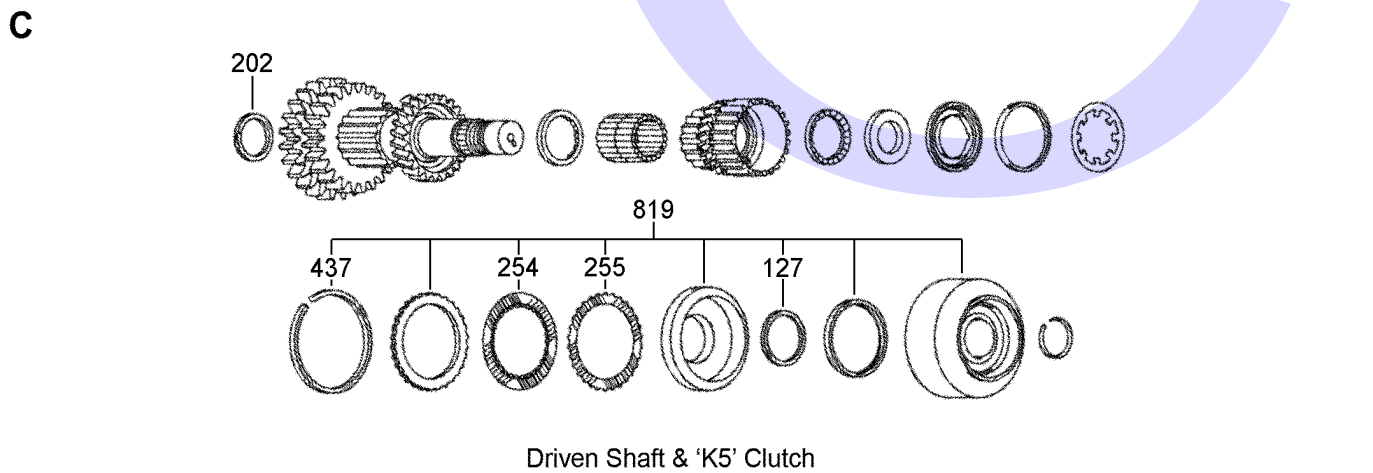
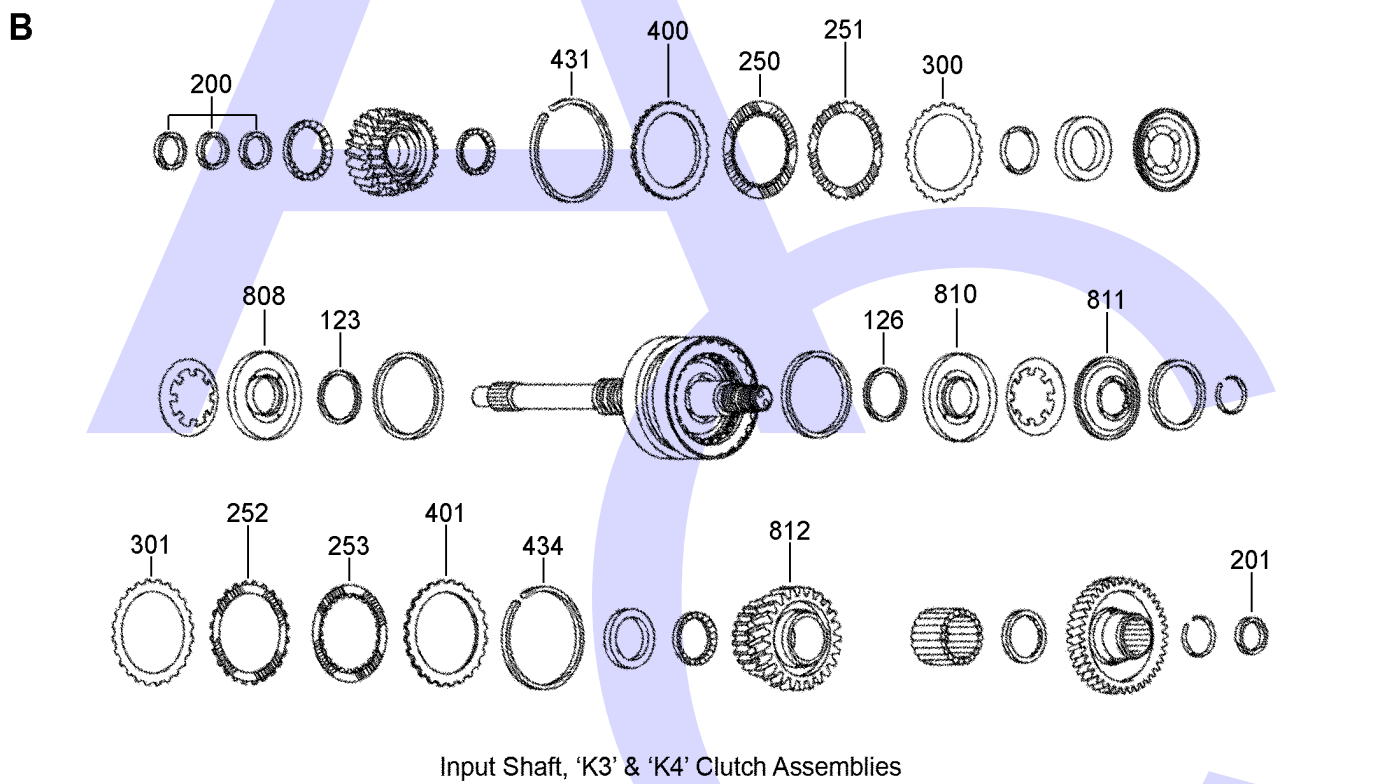
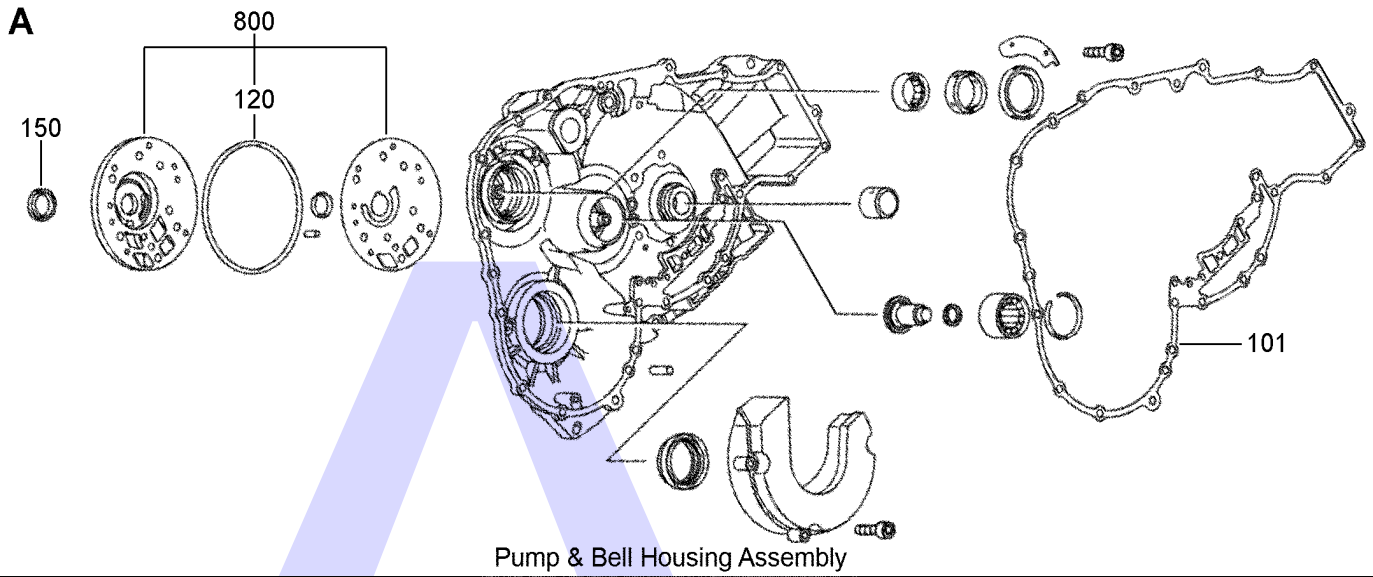
## 5 SPEED FWD (Electronic Control)



AUTOMATIC CHOICE



THE AUTOMATIC TRANSMISSION PARTS WAREHOUSE



# 722.700

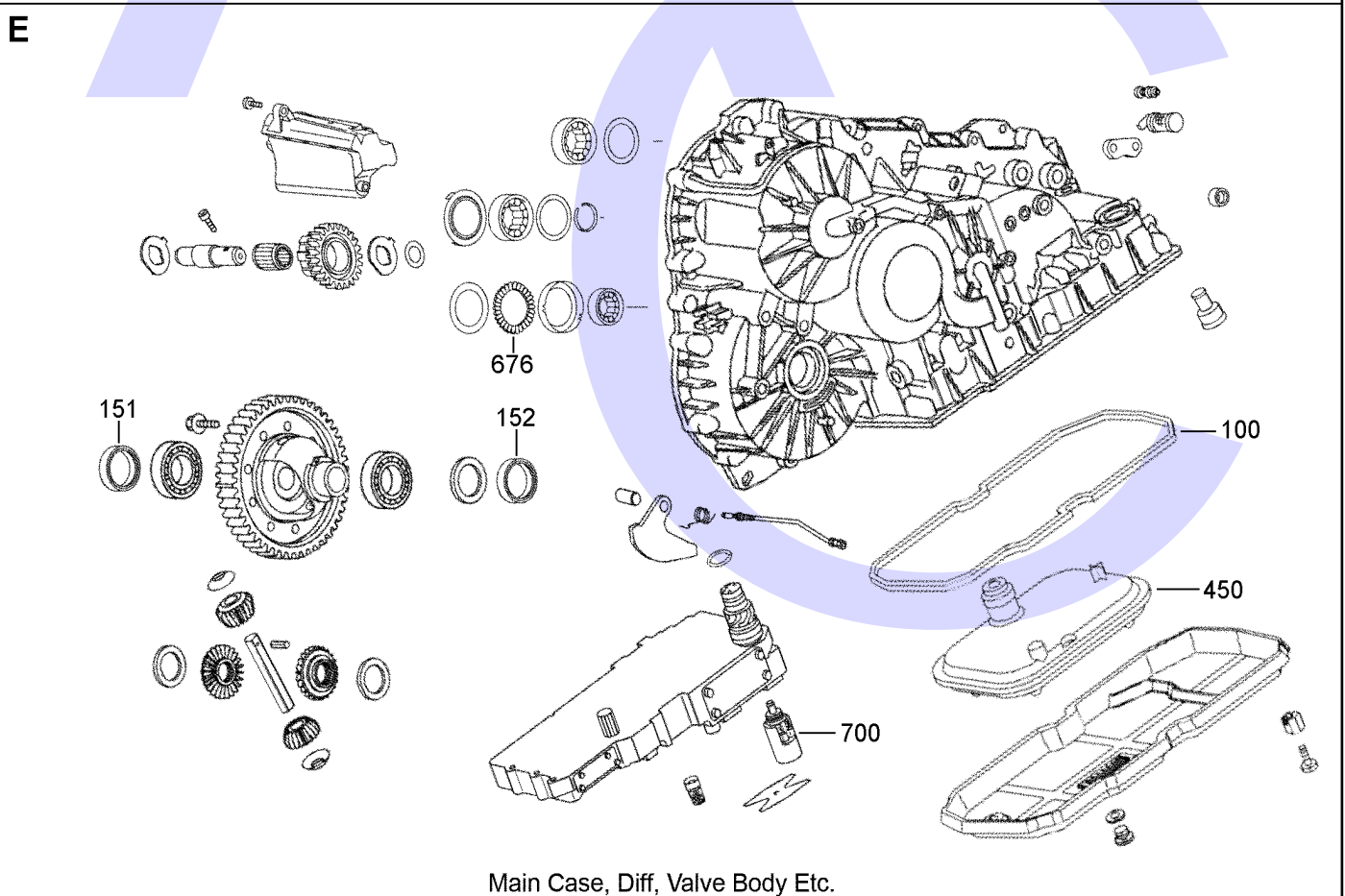
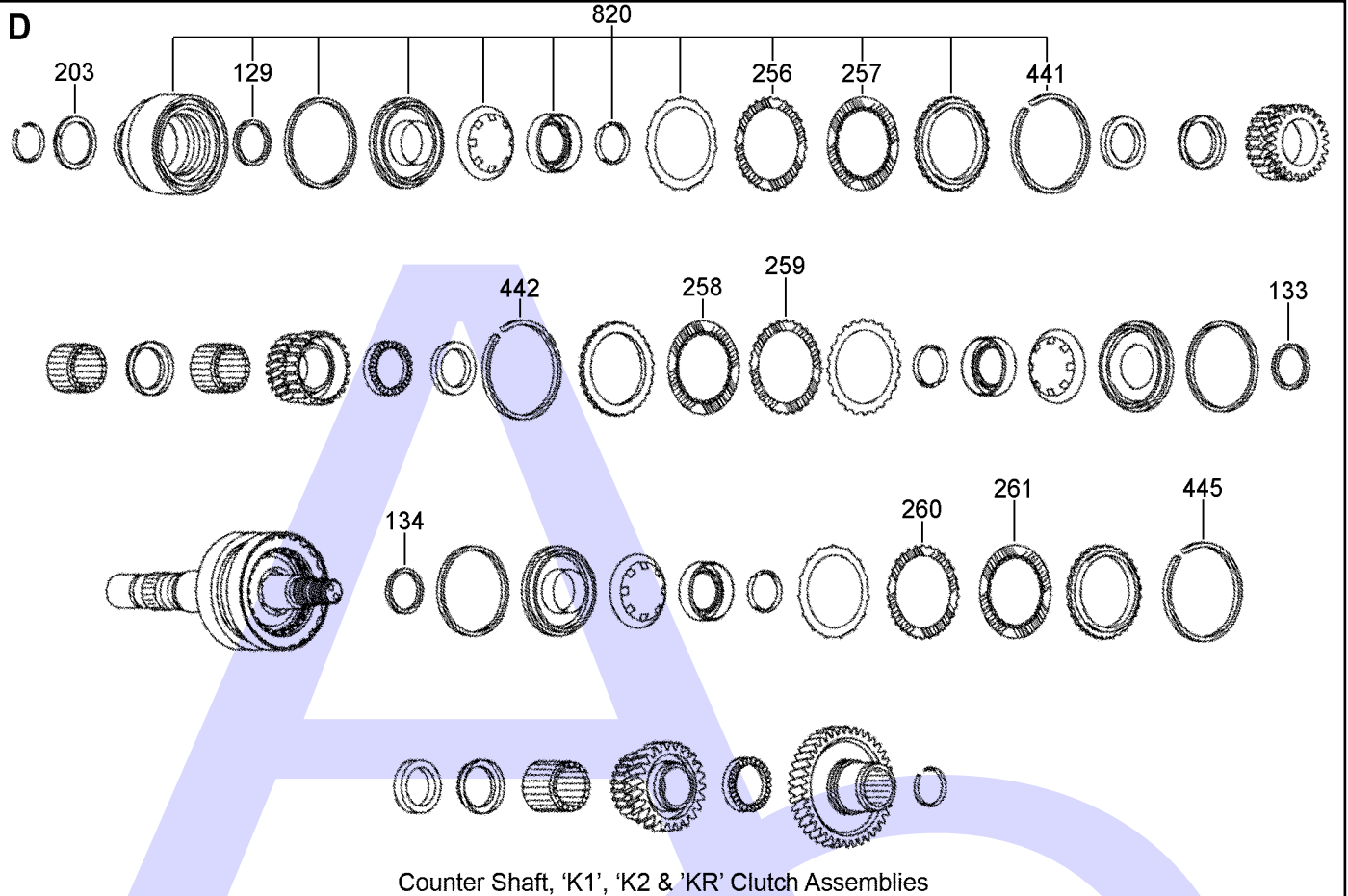
## 5 SPEED FWD (Electronic Control)



AUTOMATIC CHOICE



THE AUTOMATIC TRANSMISSION PARTS WAREHOUSE



# 722.700

## 5 SPEED FWD (Electronic Control)



AUTOMATIC CHOICE



THE AUTOMATIC TRANSMISSION PARTS WAREHOUSE

ILL NO.	DESCRIPTION	YEARS	QTY	PART NO
<b>KITS</b>				
Kit	Overhaul Kit (Aftermarket).....	98-on	1	<b>M168.OHK01</b>
<b>GASKETS</b>				
100E	Pan Gasket (Rubber).....	98-ON	1	<b>M168.GAS01</b>
101A	Maincase Gasket.....	98-ON	1	<b>M168.GAS02</b>
<b>RUBBER COMPONENTS</b>				
120A	Pump 'O' Ring.....	98-ON	1	<b>M168.OR01</b>
123B	Piston Seal Inner 'K3' Clutch ....	98-ON	1	<b>M168.SQR01</b>
126B	Piston Seal Inner 'K4' Clutch ....	98-ON	1	<b>M168.SQR01</b>
127C	Piston Seal Inner 'K5' Clutch ....	98-ON	1	<b>M168.SQR01</b>
129D	Piston Seal Inner 'K1' Clutch ....	98-ON	1	<b>M168.SQR01</b>
133D	Piston Seal Inner 'KR' Clutch ....	98-ON	1	<b>M168.SQR01</b>
134D	Piston Seal Inner 'K2' Clutch ....	98-ON	1	<b>M168.SQR01</b>
<b>METAL CLAD SEALS</b>				
150A	Pump to Torque Converter.....	98-ON	1	<b>MERC124.MCS01</b>
151E	Axle Seal (Left Hand).....	98-ON	1	<b>M168.MCS02</b>
152E	Axle Seal (Right Hand).....	98-ON	1	<b>M168.MCS02</b>
<b>MOULDED PISTONS</b>				
<b>SEALING RINGS</b>				
Kit	Sealing Ring Kit.....	98-ON	1	<b>M168.SRK01</b>
200B	Input Shaft (Front).....	98-ON	3	<b>M168.SSR01</b>
200B	Input Shaft (Rear).....	98-ON	1	<b>M168.SSR01</b>
202C	Driven Shaft (722-700 up to Serial No. 052566) (722-701 up to Serial No. 053032)	98-ON	1	<b>M168.SSR04</b>
202C	Driven Shaft (All Except Above).....	98-ON	1	<b>M168.SSR02</b>
203D	'K1' Clutch Drum.....	98-ON	1	<b>M168.SSR03</b>
<b>FRICION PLATES</b>				
250B	'K3' Clutch (Internal Teeth) (111mm OD x 1.60mm x 24T)....	98-ON	3	<b>M168.FRP02</b>
250B	'K3' Clutch (Internal Teeth) (Alto) (111mm OD x 1.60mm x 24T)....	98-ON	3	<b>M168.FRP52</b>
251B	'K3' Clutch (External Teeth) (89mm ID x 1.60mm x 24T).....	98-ON	3	<b>M168.FRP01</b>
251B	'K3' Clutch (External Teeth) (Alto) (89mm ID x 1.60mm x 24T).....	98-ON	3	<b>M168.FRP51</b>
252B	'K4' Clutch (External Teeth) (89mm ID x 1.60mm x 24T).....	98-ON	3	<b>M168.FRP01</b>
252B	'K4' Clutch (External Teeth) (Alto) (89mm ID x 1.60mm x 24T).....	98-ON	3	<b>M168.FRP51</b>
253B	'K4' Clutch (Internal Teeth) (111mm OD x 1.60mm x 24T)....	98-ON	3	<b>M168.FRP02</b>
253B	'K4' Clutch (Internal Teeth) (Alto) (111mm OD x 1.60mm x 24T)....	98-ON	3	<b>M168.FRP52</b>
254C	'K5' Clutch (Internal Teeth) (108mm OD x 1.60mm x 32T) ..	98-ON	3	<b>M168.FRP06</b>

ILL NO.	DESCRIPTION	YEARS	QTY	PART NO
<b>FRICION PLATES Cont...</b>				
254C	'K5' Clutch (Internal Teeth) (Alto) (108mm OD x 1.60mm x 32T) ..	98-ON	3	<b>M168.FRP56</b>
255C	'K5' Clutch (External Teeth) (93mm OD x 1.60mm x 24T) ....	98-ON	3	<b>M168.FRP05</b>
255C	'K5' Clutch (External Teeth) (Alto) (93mm OD x 1.60mm x 24T) ....	98-ON	3	<b>M168.FRP55</b>
256D	'K1' Clutch (External Teeth) 100mm ID x 1.60mm x 30T) .....	98-ON	3	<b>M168.FRP03</b>
256D	'K1' Clutch (External Teeth) (Alto) 100mm ID x 1.60mm x 30T) .....	98-ON	3	<b>M168.FRP53</b>
257D	'K1' Clutch (Internal Teeth) (115mm OD x 1.60mm x 24T) ..	98-ON	3	<b>M168.FRP04</b>
257D	'K1' Clutch (Internal Teeth) (Alto) (115mm OD x 1.60mm x 24T) ..	98-ON	3	<b>M168.FRP54</b>
258D	'KR' Clutch (Internal Teeth) (115mm OD x 1.60mm x 24T) ..	98-ON	3	<b>M168.FRP04</b>
258D	'KR' Clutch (Internal Teeth) (Alto) (115mm OD x 1.60mm x 24T) ..	98-ON	3	<b>M168.FRP54</b>
259D	'KR' Clutch (External Teeth) 100mm ID x 1.60mm x 30T) .....	98-ON	3	<b>M168.FRP03</b>
259D	'KR' Clutch (External Teeth) (Alto) 100mm ID x 1.60mm x 30T) .....	98-ON	3	<b>M168.FRP53</b>
260D	'K2' Clutch (External Teeth) 100mm ID x 1.60mm x 30T) .....	98-ON	4	<b>M168.FRP03</b>
260D	'K2' Clutch (External Teeth) (Alto) 100mm ID x 1.60mm x 30T) .....	98-ON	4	<b>M168.FRP53</b>
261D	'K2' Clutch (Internal Teeth) (115mm OD x 1.60mm x 24T) ..	98-ON	4	<b>M168.FRP04</b>
261D	'K2' Clutch (Internal Teeth) (Alto) (115mm OD x 1.60mm x 24T) ..	98-ON	4	<b>M168.FRP54</b>
<b>STEEL PLATES</b>				
300B	Dished Steel 'K3' Clutch .....	98-ON	1	<b>M168.STP01</b>
301B	Dished Steel 'K4' Clutch .....	98-ON	1	<b>M168.STP01</b>
<b>PRESSURE PLATES</b>				
400B	'K3' Clutch.....	98-ON	1	<b>M168.PP01</b>
401B	'K4' Clutch.....	98-ON	1	<b>M168.PP01</b>
<b>SPRINGS &amp; CIRCLIPS</b>				
431B	Circlip, Retaining 'K3' Clutch Selective (1.70mm Thick).....	98-ON	AR	<b>M168.CIR01</b>
	(2.00mm Thick).....	98-ON	AR	<b>M168.CIR02</b>
	(2.30mm Thick).....	98-ON	AR	<b>M168.CIR03</b>
	(2.60mm Thick).....	98-ON	AR	<b>M168.CIR04</b>
	(2.90mm Thick).....	98-ON	AR	<b>M168.CIR05</b>
434B	Circlip, Retaining 'K4' Clutch Selective (1.70mm Thick).....	98-ON	AR	<b>M168.CIR01</b>
	(2.00mm Thick).....	98-ON	AR	<b>M168.CIR02</b>
	(2.30mm Thick).....	98-ON	AR	<b>M168.CIR03</b>
	(2.60mm Thick).....	98-ON	AR	<b>M168.CIR04</b>
	(2.90mm Thick).....	98-ON	AR	<b>M168.CIR05</b>
437C	Circlip, Retaining 'K5' Clutch Selective (1.70mm Thick).....	98-ON	AR	<b>M168.CIR25</b>
	(2.00mm Thick).....	98-ON	AR	<b>M168.CIR26</b>
	(2.30mm Thick).....	98-ON	AR	<b>M168.CIR27</b>
	(2.60mm Thick).....	98-ON	AR	<b>M168.CIR28</b>
	(2.90mm Thick).....	98-ON	AR	<b>M168.CIR29</b>
	(3.20mm Thick).....	98-ON	AR	<b>M168.CIR30</b>



ILL NO.	DESCRIPTION	YEARS	QTY	PART NO
<b>SPRINGS &amp; CIRCLIPS Cont...</b>				
441D	Circlip, Retaining 'K1' Clutch Selective			
	(1.70mm Thick).....	98-ON	AR	<b>M168.CIR06</b>
	(1.80mm Thick).....	98-ON	AR	<b>M168.CIR07</b>
	(1.90mm Thick).....	98-ON	AR	<b>M168.CIR08</b>
	(2.00mm Thick).....	98-ON	AR	<b>M168.CIR09</b>
	(2.10mm Thick).....	98-ON	AR	<b>M168.CIR10</b>
	(2.20mm Thick).....	98-ON	AR	<b>M168.CIR11</b>
	(2.30mm Thick).....	98-ON	AR	<b>M168.CIR12</b>
	(2.40mm Thick).....	98-ON	AR	<b>M168.CIR13</b>
	(2.50mm Thick).....	98-ON	AR	<b>M168.CIR14</b>
	(2.60mm Thick).....	98-ON	AR	<b>M168.CIR15</b>
	(2.70mm Thick).....	98-ON	AR	<b>M168.CIR16</b>
	(2.80mm Thick).....	98-ON	AR	<b>M168.CIR17</b>
	(2.90mm Thick).....	98-ON	AR	<b>M168.CIR18</b>
	(3.00mm Thick).....	98-ON	AR	<b>M168.CIR19</b>
	(3.10mm Thick).....	98-ON	AR	<b>M168.CIR20</b>
	(3.20mm Thick).....	98-ON	AR	<b>M168.CIR21</b>
	(3.30mm Thick).....	98-ON	AR	<b>M168.CIR22</b>
	(3.40mm Thick).....	98-ON	AR	<b>M168.CIR23</b>
	(3.50mm Thick).....	98-ON	AR	<b>M168.CIR24</b>
442D	Circlip, Retaining 'KR' Clutch Selective			
	(1.70mm Thick).....	98-ON	AR	<b>M168.CIR06</b>
	(1.80mm Thick).....	98-ON	AR	<b>M168.CIR07</b>
	(1.90mm Thick).....	98-ON	AR	<b>M168.CIR08</b>
	(2.00mm Thick).....	98-ON	AR	<b>M168.CIR09</b>
	(2.10mm Thick).....	98-ON	AR	<b>M168.CIR10</b>
	(2.20mm Thick).....	98-ON	AR	<b>M168.CIR11</b>
	(2.30mm Thick).....	98-ON	AR	<b>M168.CIR12</b>
	(2.40mm Thick).....	98-ON	AR	<b>M168.CIR13</b>
	(2.50mm Thick).....	98-ON	AR	<b>M168.CIR14</b>
	(2.60mm Thick).....	98-ON	AR	<b>M168.CIR15</b>
	(2.70mm Thick).....	98-ON	AR	<b>M168.CIR16</b>
	(2.80mm Thick).....	98-ON	AR	<b>M168.CIR17</b>
	(2.90mm Thick).....	98-ON	AR	<b>M168.CIR18</b>
	(3.00mm Thick).....	98-ON	AR	<b>M168.CIR19</b>
	(3.10mm Thick).....	98-ON	AR	<b>M168.CIR20</b>
	(3.20mm Thick).....	98-ON	AR	<b>M168.CIR21</b>
	(3.30mm Thick).....	98-ON	AR	<b>M168.CIR22</b>
	(3.40mm Thick).....	98-ON	AR	<b>M168.CIR23</b>
	(3.50mm Thick).....	98-ON	AR	<b>M168.CIR24</b>
445D	Circlip, Retaining 'K2' Clutch Selective			
	(1.70mm Thick).....	98-ON	AR	<b>M168.CIR06</b>
	(1.80mm Thick).....	98-ON	AR	<b>M168.CIR07</b>
	(1.90mm Thick).....	98-ON	AR	<b>M168.CIR08</b>
	(2.00mm Thick).....	98-ON	AR	<b>M168.CIR09</b>
	(2.10mm Thick).....	98-ON	AR	<b>M168.CIR10</b>
	(2.20mm Thick).....	98-ON	AR	<b>M168.CIR11</b>
	(2.30mm Thick).....	98-ON	AR	<b>M168.CIR12</b>
	(2.40mm Thick).....	98-ON	AR	<b>M168.CIR13</b>
	(2.50mm Thick).....	98-ON	AR	<b>M168.CIR14</b>
	(2.60mm Thick).....	98-ON	AR	<b>M168.CIR15</b>
	(2.70mm Thick).....	98-ON	AR	<b>M168.CIR16</b>
	(2.80mm Thick).....	98-ON	AR	<b>M168.CIR17</b>
	(2.90mm Thick).....	98-ON	AR	<b>M168.CIR18</b>
	(3.00mm Thick).....	98-ON	AR	<b>M168.CIR19</b>
	(3.10mm Thick).....	98-ON	AR	<b>M168.CIR20</b>
	(3.20mm Thick).....	98-ON	AR	<b>M168.CIR21</b>
	(3.30mm Thick).....	98-ON	AR	<b>M168.CIR22</b>
	(3.40mm Thick).....	98-ON	AR	<b>M168.CIR23</b>
	(3.50mm Thick).....	98-ON	AR	<b>M168.CIR24</b>
<b>FILTERS</b>				
450E	Pick Up Filter .....	98-ON	1	<b>M168.FIL02</b>

ILL NO.	DESCRIPTION	YEARS	QTY	PART NO
<b>BUSHINGS</b>				
<b>THRUST WASHERS &amp; BEARINGS</b>				
676E	Radial Torrington Bearing 'K5' Clutch to Case .....	98-ON	1	<b>M168.TOR01</b>
<b>ELECTRICAL COMPONENTS</b>				
700E	Solenoid, Pressure Regulator...	98-ON	1	<b>M168.SOL01</b>
<b>VALVE BODY PARTS</b>				
<b>HARD PARTS</b>				
800A	Short Pump Assy .....	98-ON	1	<b>M168.PUM01</b>
808B	'K3' Piston .....	98-ON	1	<b>M168.PIS01</b>
810B	'K4' Piston .....	98-ON	1	<b>M168.PIS01</b>
811B	Retainer, 'K4' Piston.....	98-ON	1	<b>M168.RET01</b>
812B	Fourth Gear & Hub .....	98-ON	1	<b>M168.GE01</b>
819C	'K5' Clutch (Complete Assy) .....	98-ON	1	<b>M168.DRU02</b>
820D	'K1' Clutch (Complete Assy) .....	98-ON	1	<b>M168.DRU01</b>
<b>SPECIAL ITEMS</b>				
<b>TOOLS &amp; MANUALS</b>				
NI	Dipstick (Special Tool) .....	98-ON	1	<b>M168.DIP01</b>