

722.800

CVT FWD (Electronic Control)

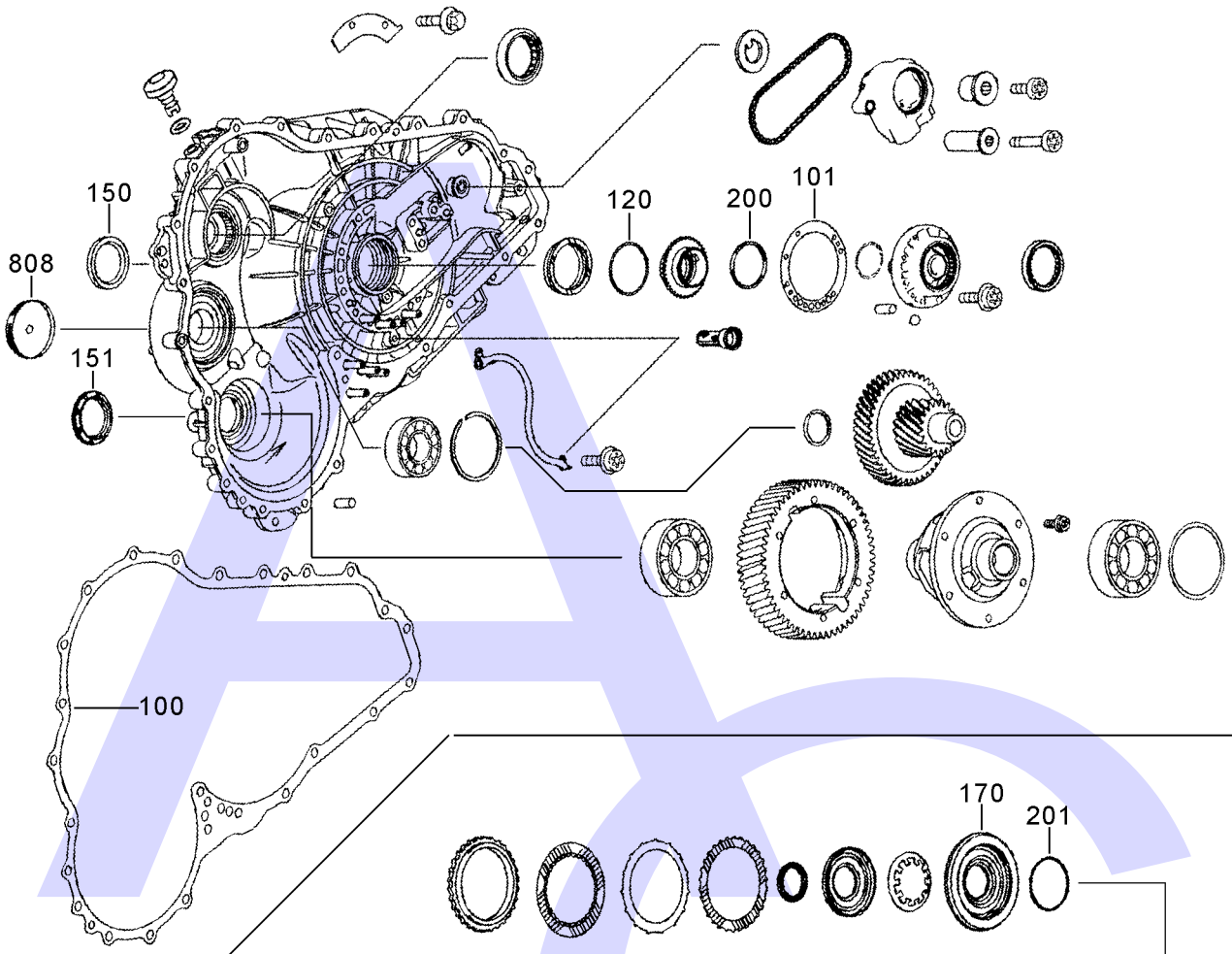


AUTOMATIC CHOICE

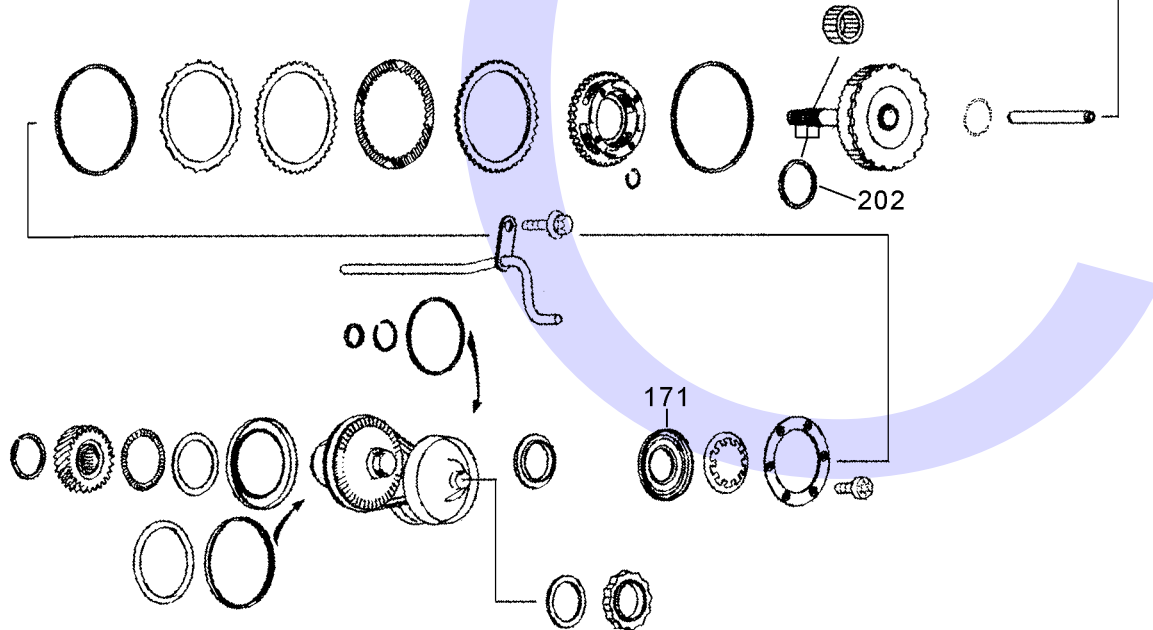


THE AUTOMATIC TRANSMISSION PARTS WAREHOUSE

A



B



722.800

CVT FWD (Electronic Control)

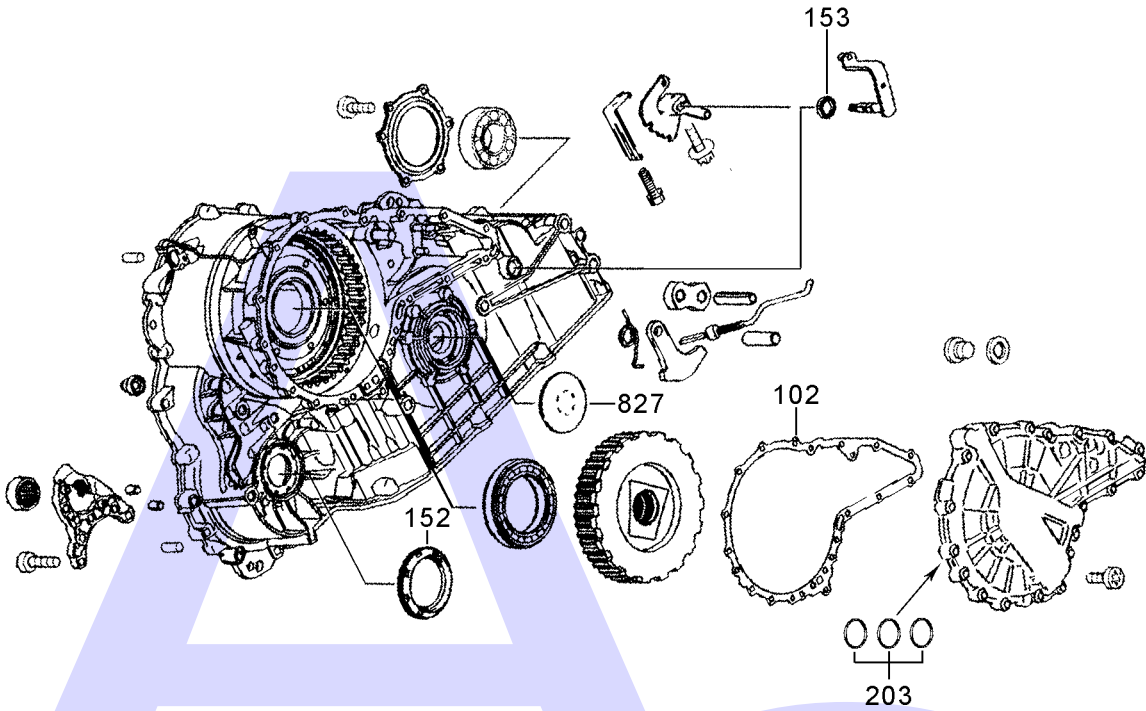


AUTOMATIC CHOICE

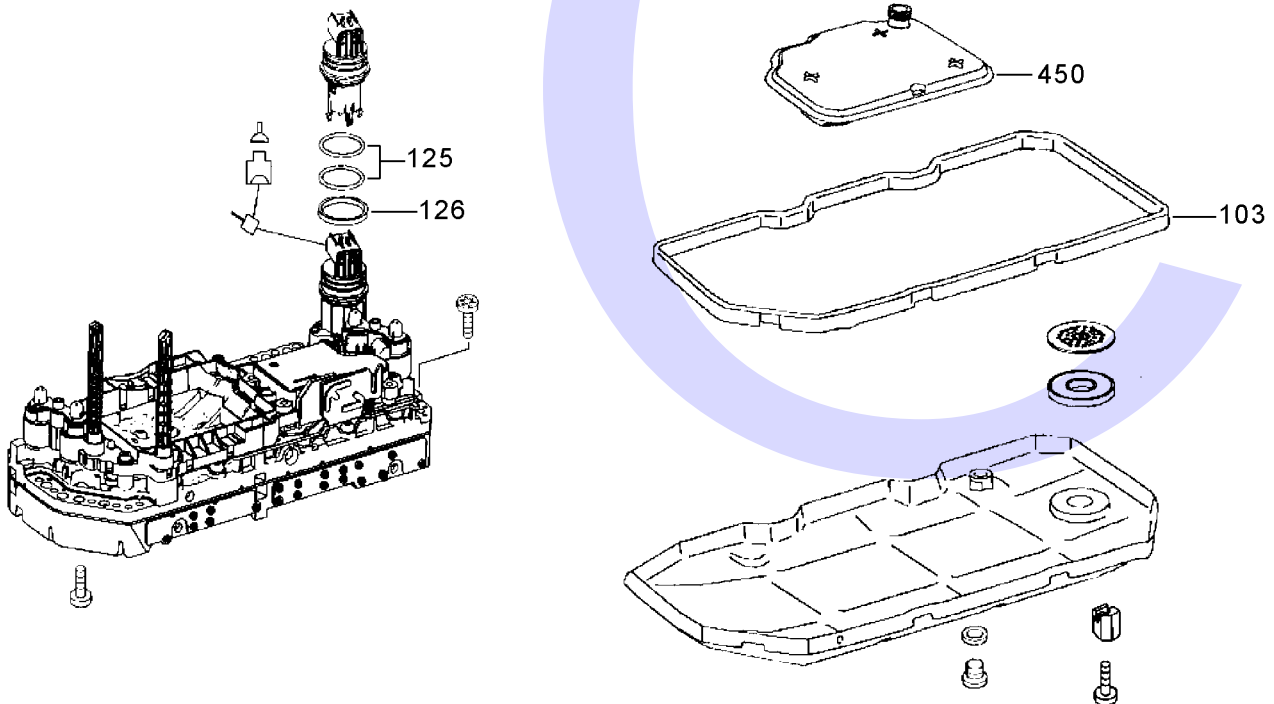


THE AUTOMATIC TRANSMISSION PARTS WAREHOUSE

C



D



722.800

CVT FWD (Electronic Control)



AUTOMATIC CHOICE



THE AUTOMATIC TRANSMISSION PARTS WAREHOUSE

ILL NO.	DESCRIPTION	YEARS	QTY	PART NO
KITS				
GASKETS				
100A	Main Case Gasket	05-ON	1	M169.GAS03
101A	Sprocket Cover Gasket.....	05-ON	1	M169.GAS04
102C	Rear Cover Gasket.....	05-ON	1	M169.GAS05
103D	Pan Gasket to Serial 305061.....	-05/07	1	M169.GAS01
103D	Pan Gasket from Serial 305062	05/07-ON	1	M169.GAS02
RUBBER COMPONENTS				
120A	'O' Ring, Pump Drive Gear Housing.....	05-ON	1	M169.OR01
125D	'O' Ring Case Connector (Small)	05-ON	2	M169.OR02
126D	'O' Ring Case Connector (Large)	05-ON	1	M169.OR03
METAL CLAD SEALS				
150A	Converter Seal.....	05-ON	1	MERC126.MCS01
151A	Drive Shaft Seal (L/Hand).....	05-ON	1	M169.MCS02
152C	Drive Shaft Seal (R/Hand)	05-ON	1	M169.MCS02
153C	Selector Shaft Seal.....	05-ON	1	M169.MCS03
MOULDED PISTONS				
170B	Piston, Output Shaft (Forward Clutch).....	05-ON	1	M169.PIS01
171B	Piston, Planet Carrier (Reverse Brake).....	05-ON	1	M169.PIS02
SEALING RINGS				
200A	Pump Drive Gear	05-ON	1	M169.SSR01
201B	Output Shaft (Front).....	05-ON	1	M169.SSR02
202B	Output Shaft (Rear)	05-ON	3	M169.SSR03
203C	Rear Cover	05-ON	3	M169.SSR03
FRICTION PLATES				
STEEL PLATES				
PRESSURE PLATES				

ILL NO.	DESCRIPTION	YEARS	QTY	PART NO
SPRINGS & CIRCLIPS				
FILTERS				
450D	Pick Up Filter	05-ON	1	M169.FIL01
BANDS				
BUSHINGS				
THRUST WASHERS & BEARINGS				
ELECTRICAL COMPONENTS				
VALVE BODY PARTS				
HARD PARTS				
808A	End Cap, Secondary Shaft (L/Hand).....	05-ON	1	M169.CAP01
827C	End Cap, Secondary Shaft (R/Hand)	05-ON	1	M169.CAP01
SPECIAL ITEMS				
TOOLS & MANUALS				