

# 722.900

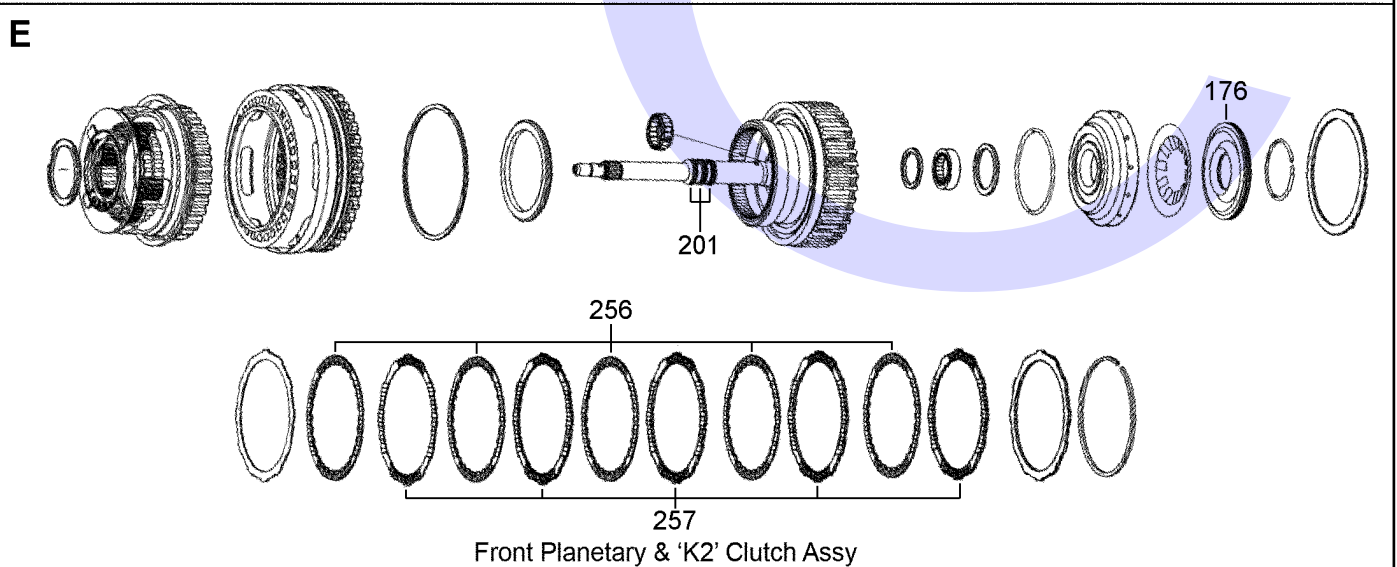
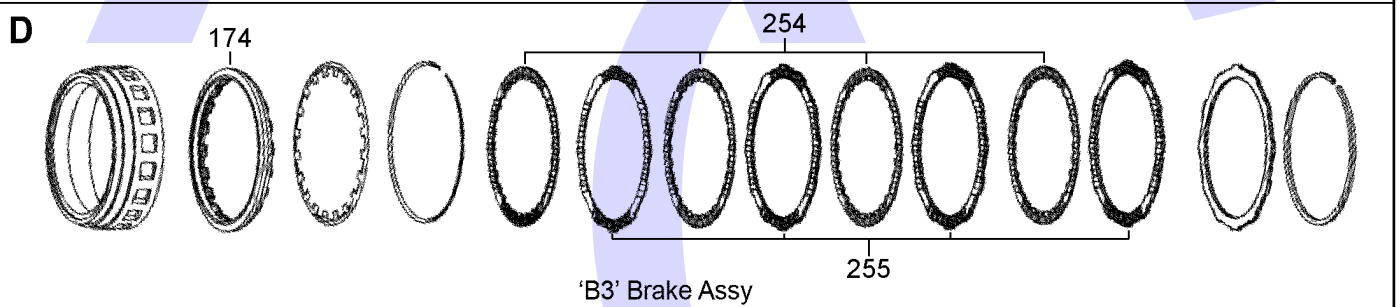
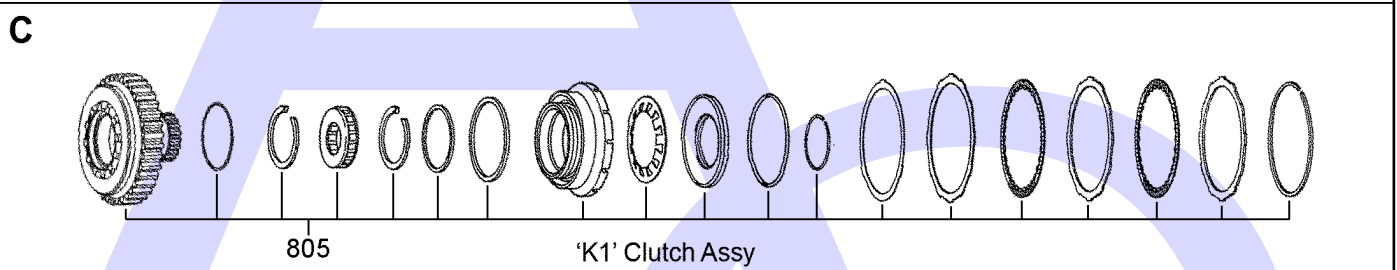
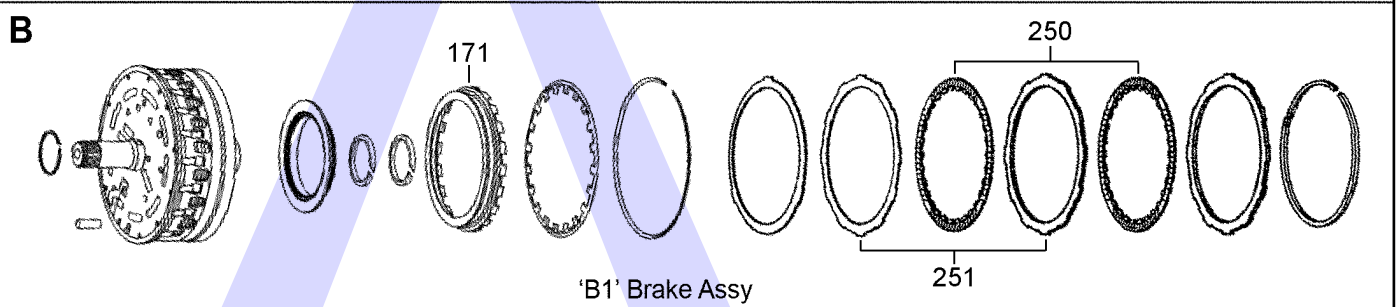
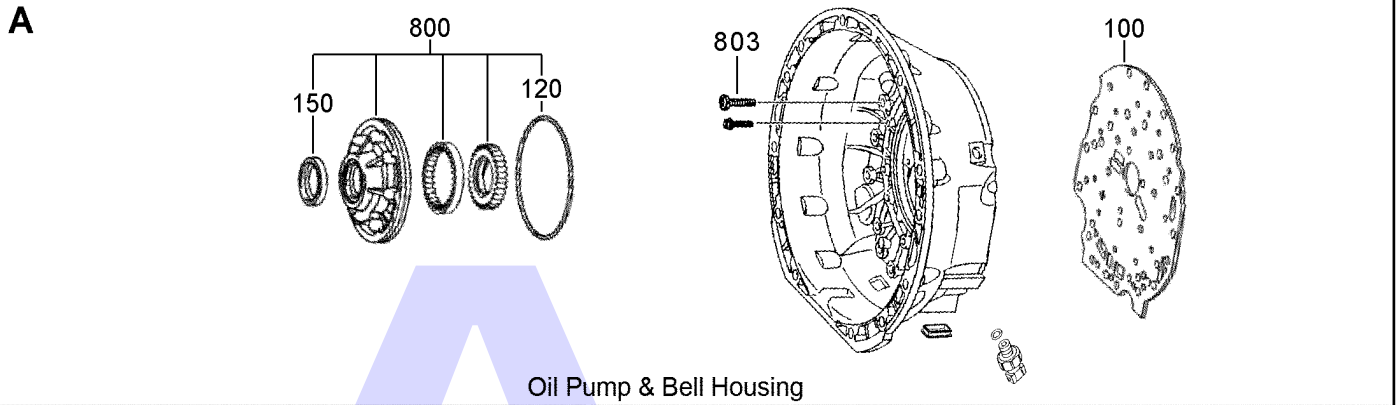
## 7 Speed RWD (Electronic Control)



AUTOMATIC CHOICE



THE AUTOMATIC TRANSMISSION PARTS WAREHOUSE



# 722.900

## 7 Speed RWD (Electronic Control)

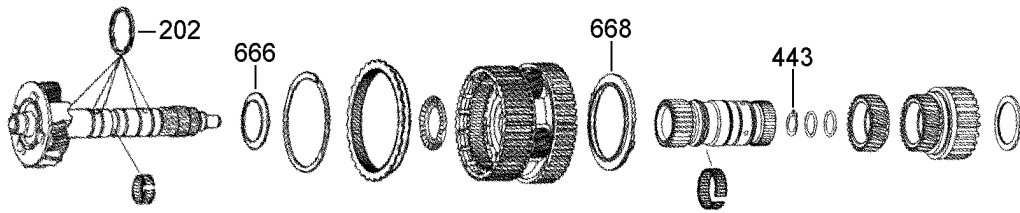


AUTOMATIC CHOICE



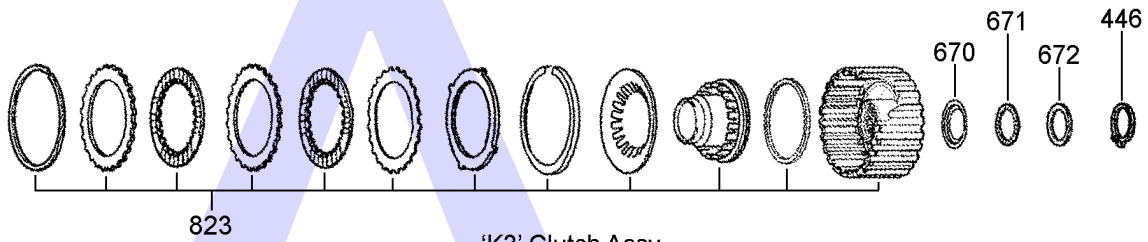
THE AUTOMATIC TRANSMISSION PARTS WAREHOUSE

F



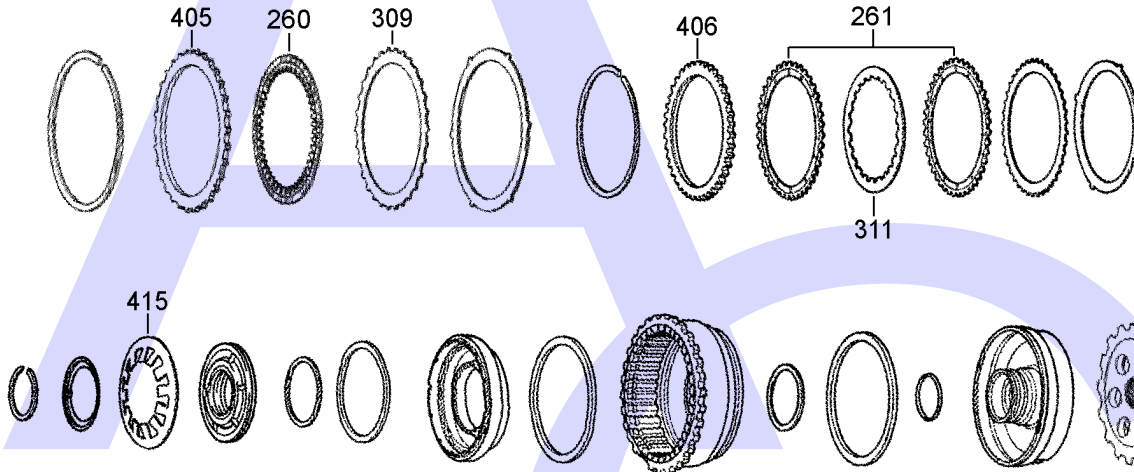
Middle & Rear Planetary Assy

G



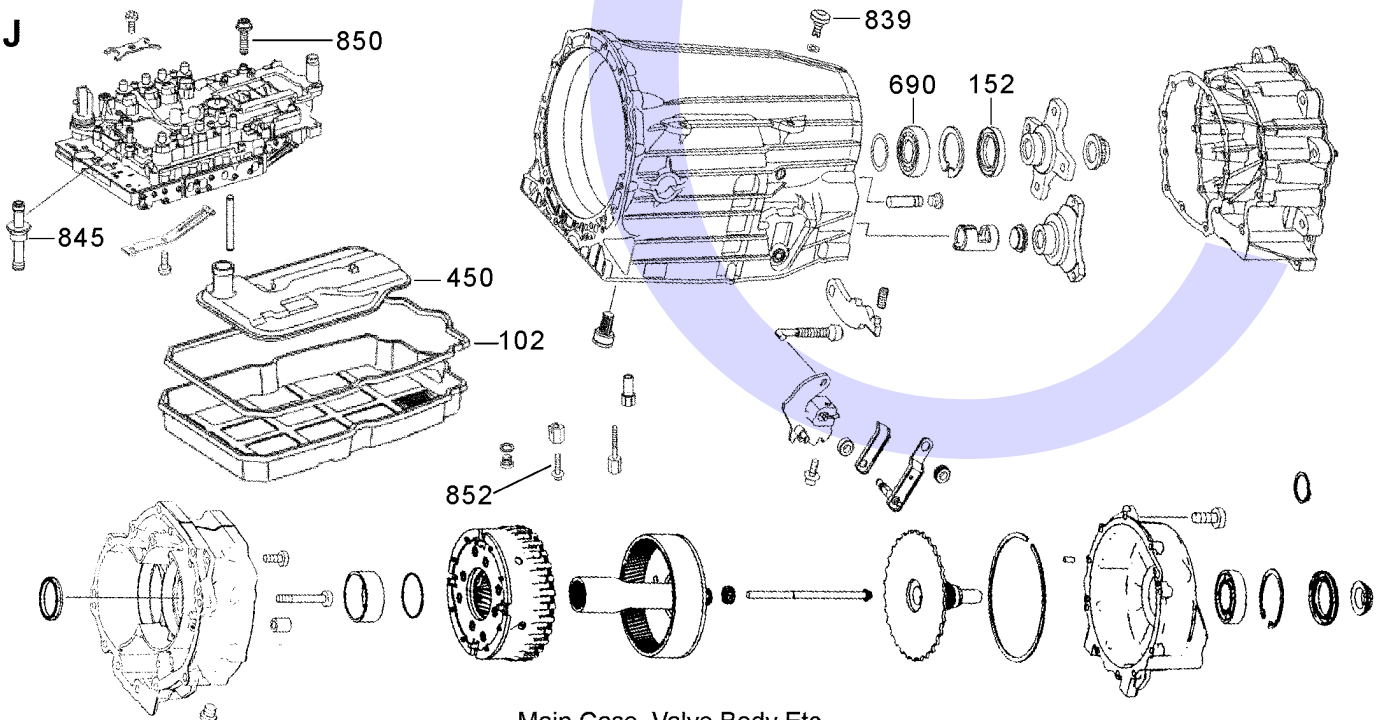
'K3' Clutch Assy

H



'BR' Brake & 'B2' Brake Assemblies

J



Main Case, Valve Body Etc.

# 722.900

## 7 Speed RWD (Electronic Control)



AUTOMATIC CHOICE

ILL NO.	DESCRIPTION	YEARS	QTY	PART NO
<b>KITS</b>				
Kit	Overhaul Kit (Aftermarket).....	03-ON	1	<b>M215.OHK01</b>
<b>GASKETS</b>				
100A	Intermediate Plate (With Moulded Rubber Gasket)	03-ON	1	<b>M215.GAS02</b>
101J	Pan Gasket.....	03-ON	1	<b>M215.GAS01</b>
<b>RUBBER COMPONENTS</b>				
120A	Pump Outer 'O' Ring.....	03-ON	1	<b>M140.OR01</b>
<b>METAL CLAD SEALS</b>				
150A	Pump to T. Converter.....	03-ON	1	<b>M215.MCS01</b>
152J	Output Seal.....	03-ON	1	<b>M215.MCS02</b>
<b>MOULDED PISTONS</b>				
171B	'B1' Brake.....	03-ON	1	<b>M215.PIS01</b>
174D	'B3' Brake.....	03-ON	1	<b>M215.PIS03</b>
176E	'K2' Clutch Accumulator Piston.	03-ON	1	<b>M215.PIS02</b>
<b>SEALING RINGS</b>				
201E	Input Shaft .....	03-ON	3	<b>M140.SSR02</b>
202F	Output Shaft.....	03-ON	5	<b>M140.SSR03</b>
<b>FRICITION PLATES</b>				
Kit	Friction & Steel Plate (Alto).....	03-ON	1	<b>M215.FRK51</b>
250B	'B1' Brake (Internal Teeth)	03-ON	2-3	<b>M215.FRP02</b>
251B	'B1' Brake (External Teeth)	03-ON	2-3	<b>M215.FRP01</b>
254D	'B3' Brake (Internal Teeth)	03-ON	4-5	<b>M215.FRP02</b>
255D	'B3' Brake (External Teeth)	03-ON	4-5	<b>M215.FRP01</b>
256E	'K2' Klutch (Internal Teeth)	03-ON	5-6	<b>M215.FRP05</b>
257E	'K2' Klutch (External Teeth)	03-ON	5-6	<b>M215.FRP06</b>
260H	'BR' Brake	03-ON	4	<b>M140.FRP05</b>
261H	'B2' Brake (External Teeth) (132mm OD x 1.65mm x 40T) ..	03-ON	6	<b>M140.FRP04</b>
<b>STEEL PLATES</b>				
Kit	Friction & Steel Plate (Alto).....	03-ON	1	<b>M215.FRK51</b>
309H	'BR' Brake External Teeth (155mm ID x 1.80mm x 30T) .....	03-ON	4	<b>M140.STP18</b>
311H	'B2' Brake (Internal Teeth) (155mm OD x 1.80mm x 24T) ..	03-ON	5	<b>M140.STP16</b>

ILL NO.	DESCRIPTION	YEARS	QTY	PART NO
<b>PRESSURE PLATES</b>				
405H	'BR' Brake (6.5mm Thick) .....	03-ON	1	<b>M140.PP02</b>
406H	'B2' Brake (6.50mm Thick).....	03-ON	1	<b>M140.PP01</b>
<b>SPRINGS &amp; CIRCLIPS</b>				
415H	Diaphragm Spring ( 'B2' Brake Return) .....	03-ON	1	<b>M140.DIA04</b>
443F	Circlip, Sun Gear Retaining .....	03-ON	1	<b>M140.CIR02</b>
446G	Circlip, 'K3' Clutch Retaining.....	03-ON	1	<b>M140.CIR03</b>
<b>FILTERS</b>				
450J	Pick Up Filter (OEM).....	03-ON	1	<b>M215.FIL01</b>
450J	Pick Up Filter (Aftermarket) .....	03-ON	1	<b>M215.FIL11</b>
<b>BUSHINGS</b>				
<b>THRUST WASHERS &amp; BEARINGS</b>				
666F	Race/Guard Plate (Middle to Rear Planet) .....	03-ON	1	<b>M140.TOR08</b>
668F	Needle Bearing (Rear of Rear Planet)) .....	03-ON	1	<b>M140.TOR09</b>
670G	Race/Guard Plate (Rear of 'K3' Clutch, Front) .....	03-ON	1	<b>M140.TOR11</b>
671G	Needle Bearing (Rear of 'K3' Clutch).....	03-ON	1	<b>M140.TOR12</b>
672G	Race/Guard Plate (Rear of 'K3' Clutch, Rear) (3.10mm Thick).....	03-ON	AR	<b>M140.TOR13</b>
	(3.40mm Thick).....	03-ON	AR	<b>M140.TOR14</b>
	(3.70mm Thick).....	03-ON	AR	<b>M140.TOR15</b>
690J	Ball Bearing, Output Shaft .....	03-ON	1	<b>M140.BE04</b>
<b>ELECTRICAL COMPONENTS</b>				
<b>VALVE BODY PARTS</b>				
<b>HARD PARTS</b>				
800A	Pump Assembly .....	03-ON	1	<b>M140.PUM01</b>
803A	Bolt, Bell Housing to Case (Aluminium <b>See Note †</b> ).....	03-ON	11	<b>M215.NUT01</b>
805C	'K1' Clutch Assembly Complete	03-ON	1	<b>M215.DRU01</b>
823G	'K3' Clutch Assembly Complete	03-ON	1	<b>M215.DRU02</b>
839J	Transmission Breather.....	03-ON	1	<b>MERC.124.BRE01</b>
845J	Oil Guide Tube.....	03-ON	1	<b>M215.TU01</b>
850J	Bolt, Valve Body to Case (Aluminium <b>See Note †</b> ).....	03-ON	10	<b>M215.NUT02</b>
852J	Bolt, Oil Pan to Case (Aluminium <b>See Note †</b> ).....	03-ON	6	<b>M215.NUT03</b>

† The main case is made from Magnesium, so to prevent problems arising from expansion & corrosion these bolts are made from aluminium they must be changed every time and tightened to the correct torque.



THE AUTOMATIC TRANSMISSION PARTS WAREHOUSE

# 722.900

## 7 Speed RWD (Electronic Control)



A  
U  
T  
O  
M  
A  
T  
I  
C  
C  
H  
O  
I  
C  
E

ILL NO. ....	DESCRIPTION	YEARS	QTY	PART NO
<b>SPECIAL ITEMS</b>				
<b>TOOLS &amp; MANUALS</b>				

ILL NO. ....	DESCRIPTION	YEARS	QTY	PART NO



T  
H  
E  
A  
U  
T  
O  
M  
A  
T  
I  
C  
T  
R  
A  
N  
S  
M  
I  
S  
S  
I  
O  
N  
P  
A  
R  
T  
S  
W  
A  
R  
E  
H  
O  
U  
S  
E