

# MITSUBISHI F4A-41, F4A-42, F5A42

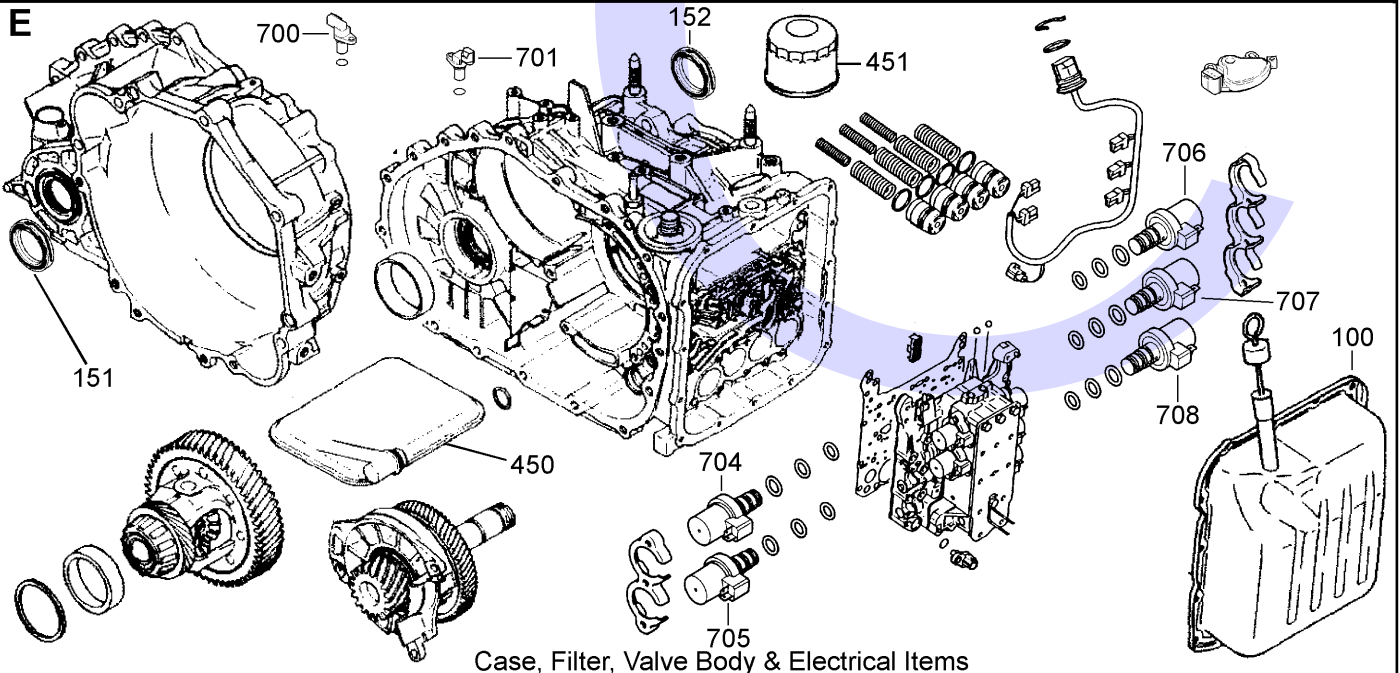
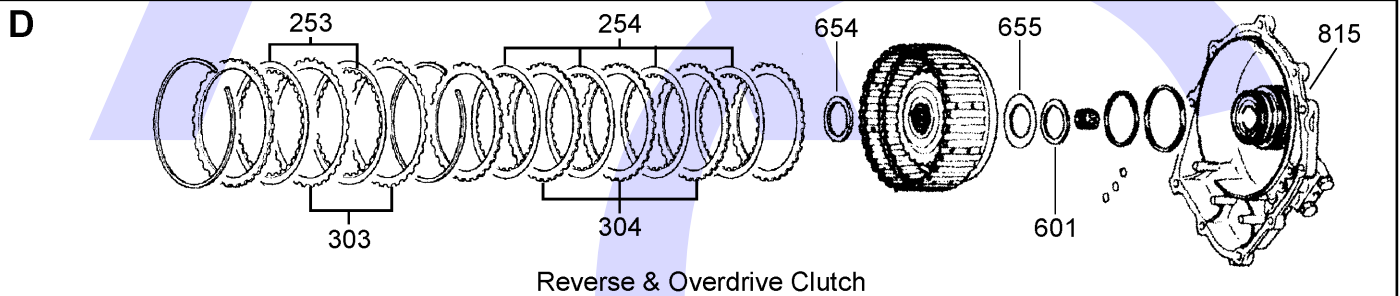
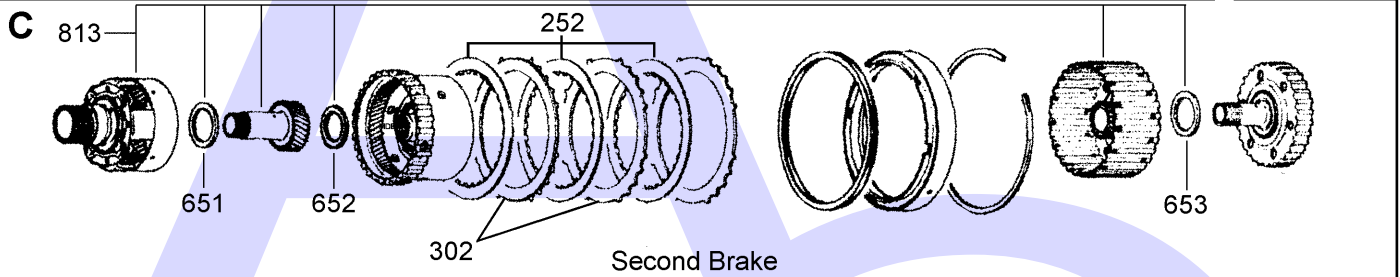
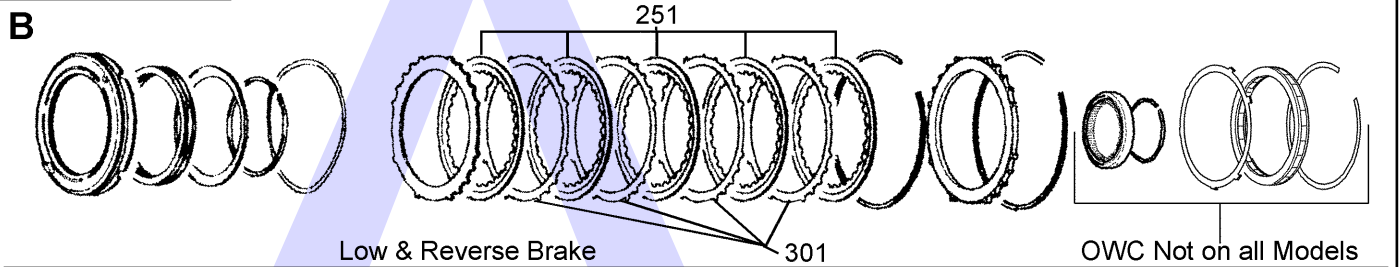
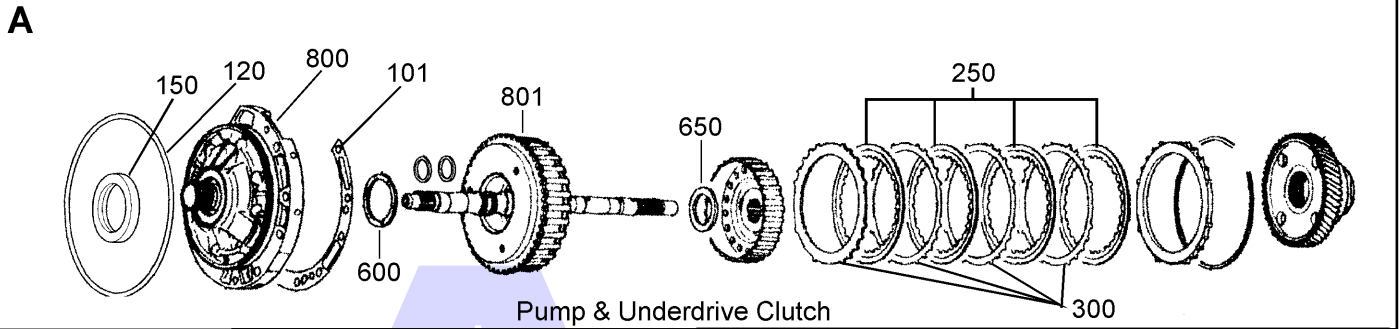
## 4 & 5 SPEED FWD With Lock Up (Electronic Control)



AUTOMATIC CHOICE



THE AUTOMATIC TRANSMISSION PARTS WAREHOUSE



# MITSUBISHI F4A-41, F4A-42, F5A42

## 4 & 5 SPEED FWD With Lock Up (Electronic Control)



AUTOMATIC CHOICE



THE AUTOMATIC TRANSMISSION PARTS WAREHOUSE

ILL NO.	DESCRIPTION	YEARS	QTY	PART NO
<b>KITS</b>				
Kit	Master Overhaul Kit .....	96-ON	1	<b>KMF4A.MOHK01</b>
Kit	Overhaul Kit .....	96-ON	1	<b>KMF4A.OHK01</b>
Kit	Overhaul Kit (F5A42).....	96-ON	1	<b>KMF5A.OHK02</b>
Kit	Gaskets, Valve Body Solenoids (KMF4A42) .....	96-ON	1	<b>KMF4A.GK01</b>
<b>GASKETS</b>				
100F	Valve Body Cover .....	96-ON	1	<b>KMF4A.GAS01</b>
101A	Pump Gasket .....	96-ON	1	<b>KMF4A.GAS02</b>
NI	Valve Body Gasket .....	96-ON	1	<b>KMF4A.GAS05</b>
<b>RUBBER COMPONENTS</b>				
120A	Pump O Ring .....	96-ON	1	<b>KMF4A.OR01</b>
<b>SEALS</b>				
150A	Converter Seal.....	96-ON	1	<b>KM170.MCS01</b>
151E	Axle Seal R/Hand (Mitsubishi) ..	96-ON	1	<b>KMF4A.MCS02</b>
151E	Axle Seal R/Hand (Hyundai).....	96-ON	1	<b>KMF4A.MCS04</b>
152E	Axle Seal L/Hand (Mitsubishi)...	96-ON	1	<b>KMF4A.MCS02</b>
152E	Axle Seal L/Hand (Hyundai) .....	96-ON	1	<b>KMF4A.MCS03</b>
<b>SEALING RINGS</b>				
Kit	Sealing Ring Kit .....	96-ON	1	<b>KMF4A.SRK01</b>
<b>FRICTION PLATES</b>				
Kit	Friction Plate.....	96-ON	1	<b>KMF4A.FRK01</b>
Kit	Friction Plate (Alto) (F4A41).....	96-ON	1	<b>F4A41.FRK51</b>
Kit	Friction Plate (Alto) (F4A41, F4A42 Combo).....	96-ON	1	<b>F4A41.FRK52</b>
250A	Underdrive (136mm O.D. x 30T x 1.70mm) 9 Waves .....	96-ON	3-4	<b>KMF4A.FRP04</b>
251B	Low/Reverse Brake (157mm O.D. x 30T x 1.70mm) .....	96-ON	4-6	<b>KMF4A.FRP02</b>
252C	2nd Brake (157mm O.D. x 30T x 1.70mm) .....	96-ON	2-3	<b>KMF4A.FRP01</b>
253D	Reverse (149mm O.D. x 30T x 1.70mm) .....	96-ON	2	<b>KMF4A.FRP03</b>
254D	Overdrive (136mm O.D. x 30T x 1.70mm) 6 Waves .....	96-ON	3-4	<b>KMF4A.FRP04</b>
<b>STEEL PLATES</b>				
Kit	Steel Plate (F4A41).....	96-ON	1	<b>F4A41.STK01</b>
Kit	Steel Plate (F4A41, F4A42 Combo).....	96-ON	1	<b>F4A41.STK02</b>
300A	Underdrive (20T x 1.80mm) .....	96-ON	3-4	<b>KMF4A.STP06</b>
301B	Low/Reverse Brake (17T x 1.00mm) .....	96-ON	3-5	<b>KMF4A.STP03</b>
302C	2nd Brake (17T x 2.00mm) .....	96-ON	1-2	<b>KMF4A.STP01</b>

ILL NO.	DESCRIPTION	YEARS	QTY	PART NO
<b>STEEL PLATES Cont...</b>				
302C	2nd Brake (17T x 2.50mm) .....	96-ON	1	<b>KMF4A.STP02</b>
303D	Reverse (20T x 1.80mm) .....	96-ON	2	<b>KMF4A.STP04</b>
304D	Overdrive (20T x 2.50mm) .....	96-ON	3-4	<b>KMF4A.STP05</b>
<b>FILTERS</b>				
450E	Pan Filter (Misubishi & FTO) ....	96-ON	1	<b>KMF4A.FIL01</b>
450E	Pan Filter (Hyundai Charisma, Trajet).....	96-ON	1	<b>KMF4A.FIL04</b>
451E	Spin On External Filter.....	96-ON	1	<b>KMF4A.FIL03</b>
<b>BUSHES</b>				
Kit	Bush Kit (4 Pieces).....	96-ON	1	<b>KMF4A.BK01</b>
NI	Pump (Bronze).....	96-ON	1	<b>KMF4A.BUS01</b>
NI	Pump (Sonnax).....	96-ON	1	<b>KMF4A.BUS03</b>
NI	Stator Bush.....	96-ON	1	<b>KMF4A.BUS02</b>
<b>THRUST WASHERS &amp; BEARINGS</b>				
600A	Thrust Washer Pump Selective (1.80mm Thick).....	96-ON	AR	<b>KMF4A.THW01</b>
	(2.00mm Thick).....	96-ON	AR	<b>KMF4A.THW02</b>
	(2.20mm Thick).....	96-ON	AR	<b>KMF4A.THW03</b>
	(2.40mm Thick).....	96-ON	AR	<b>KMF4A.THW04</b>
	(2.60mm Thick).....	96-ON	AR	<b>KMF4A.THW05</b>
	(2.80mm Thick).....	96-ON	AR	<b>KMF4A.THW06</b>
601D	Thrust Washer Rear Cover Selective (1.60mm Thick).....	96-ON	AR	<b>KMF4A.THW07</b>
	(1.70mm Thick).....	96-ON	AR	<b>KMF4A.THW08</b>
	(1.80mm Thick).....	96-ON	AR	<b>KMF4A.THW09</b>
	(1.90mm Thick).....	96-ON	AR	<b>KMF4A.THW10</b>
	(2.00mm Thick).....	96-ON	AR	<b>KMF4A.THW11</b>
	(2.10mm Thick).....	96-ON	AR	<b>KMF4A.THW12</b>
	(2.20mm Thick).....	96-ON	AR	<b>KMF4A.THW13</b>
	(2.30mm Thick).....	96-ON	AR	<b>KMF4A.THW14</b>
	(2.40mm Thick).....	96-ON	AR	<b>KMF4A.THW15</b>
	(2.50mm Thick).....	96-ON	AR	<b>KMF4A.THW16</b>
	(2.60mm Thick).....	96-ON	AR	<b>KMF4A.THW17</b>
650A	Bearing Set U.D. Clutch to U.D. Hub (49 x 36 x 3.60mm) .....	96-ON	1	<b>KMF4A.TOR01</b>
651C	Bearing Set Output Planet Carrier To U.D. Sun Gear (49 x 36 x 3.60mm).....	96-ON	1	<b>KMF4A.TOR01</b>
652C	Bearing Set U.D. Sun Gear To O.D. Planet Carrier (45.30 x 31 x 3.30mm).....	96-ON	1	<b>KMF4A.TOR02</b>
653C	Bearing Set Reverse Sun Gear To O.D. Clutch Hub (49 x 36 x 3.60mm).....	96-ON	1	<b>KMF4A.TOR01</b>
654D	Bearing Set O.D. Clutch Hub To Reverse & O.D. Clutch (49 x 36 x 3.60mm).....	96-ON	1	<b>KMF4A.TOR01</b>
655D	Bearing Reverse & O.D. Clutch To Rear Cover (59 x 37 x 2.80mm).....	96-ON	1	<b>KMF4A.TOR03</b>

# MITSUBISHI F4A-41, F4A-42, F5A42

## 4 & 5 SPEED FWD With Lock Up (Electronic Control)



AUTOMATIC CHOICE



THE AUTOMATIC TRANSMISSION PARTS WAREHOUSE

ILL NO.	DESCRIPTION	YEARS	QTY	PART NO
<b>ELECTRICAL COMPONENTS</b>				
700E	Output Speed Sensor (3 Pin) (Angled Connector).....	96-ON	1	KMF4A.ELE02
700E	Output Speed Sensor (4 Pin) (90° Connector) .....	96-ON	1	KMF4A.ELE04
701E	Input Speed Sensor (3 Pin) (Vertical Connector) .....	96-ON	1	KMF4A.ELE01
701E	Input Speed Sensor (4 Pin) (Vertical Connector) .....	96-ON	1	KMF4A.ELE03
704E	Solenoid (Overdrive).....	96-ON	1	KMF4A.SOL01
705E	Solenoid (Low-Reverse) .....	96-ON	1	KMF4A.SOL01
706E	Solenoid (Underdrive).....	96-ON	1	KMF4A.SOL01
707E	Solenoid (Second) .....	96-ON	1	KMF4A.SOL01
708E	Solenoid(TCC) .....	96-ON	1	KMF4A.SOL01
<b>HARD PARTS</b>				
800A	Pump Assy.....	96-ON	1	KMF4A.PUM01
800A	Pump Stator Only (Recon).....	96-ON	1	KMF4A.PUM31
801A	Underdrive Drum (Rebuilt).....	96-ON	1	KMF4A.DRU31
813C	Planetary Repair Kit.....	96-ON	1	KMF4A.PL01
815D	End Cover (FTO) .....	96-ON	1	KMF4A.COV01
815D	End Cover (FTO Rebuilt) .....	96-ON	1	KMF4A.COV31
NI	2nd Brake Retainer Oil Tube ....	96-ON	1	KMF4A.TU01
<b>SPECIAL ITEMS</b>				
<b>TOOLS &amp; MANUALS</b>				

ILL NO.	DESCRIPTION	YEARS	QTY	PART NO
---------	-------------	-------	-----	---------