

AW55-50SN, AW55-51SN

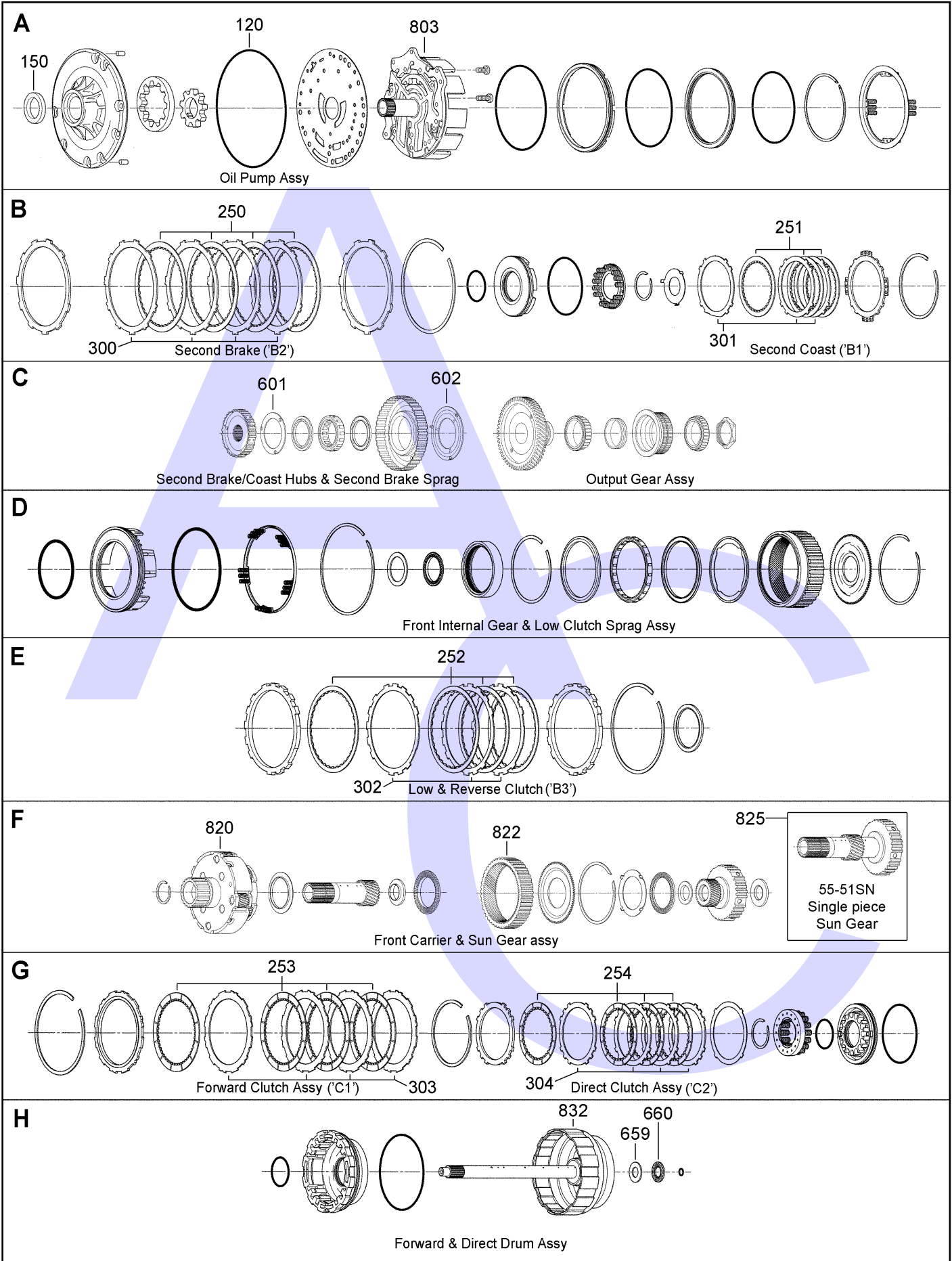
5 SPEED FWD (Electronic Control)



AUTOMATIC CHOICE



THE AUTOMATIC TRANSMISSION PARTS WAREHOUSE



AW55-50SN, AW55-51SN

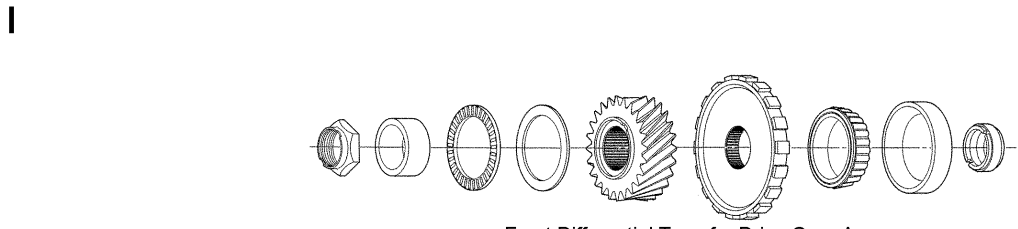
5 SPEED FWD (Electronic Control)



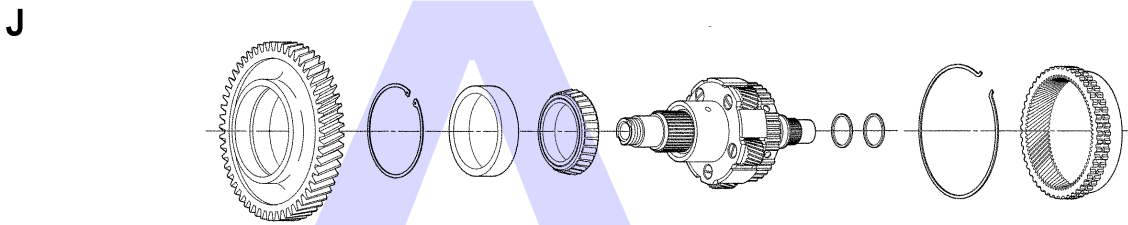
AUTOMATIC CHOICE



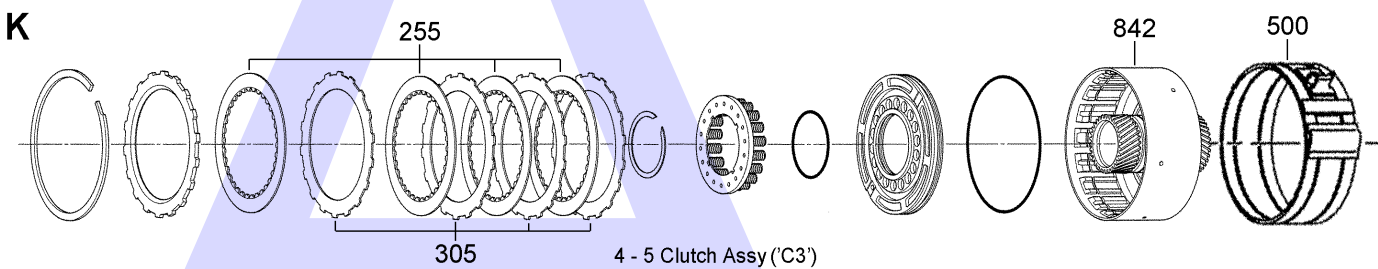
THE AUTOMATIC TRANSMISSION PARTS WAREHOUSE



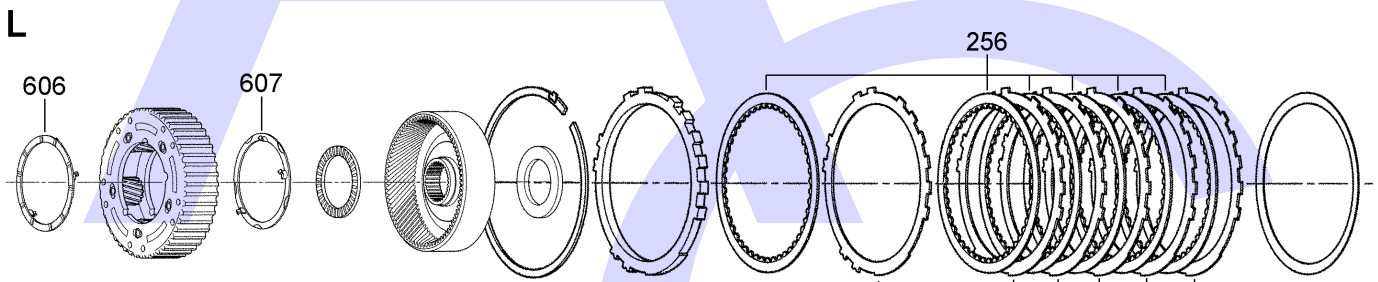
Front Differential Transfer Drive Gear Assy



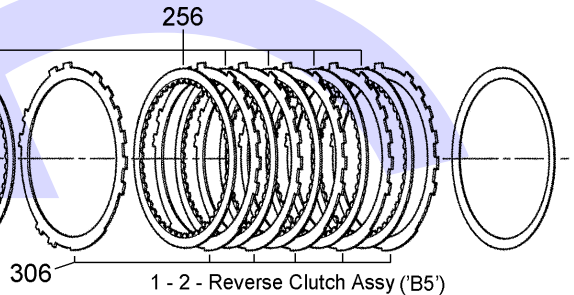
Front Differential Transfer Drive Gear Assy Continued



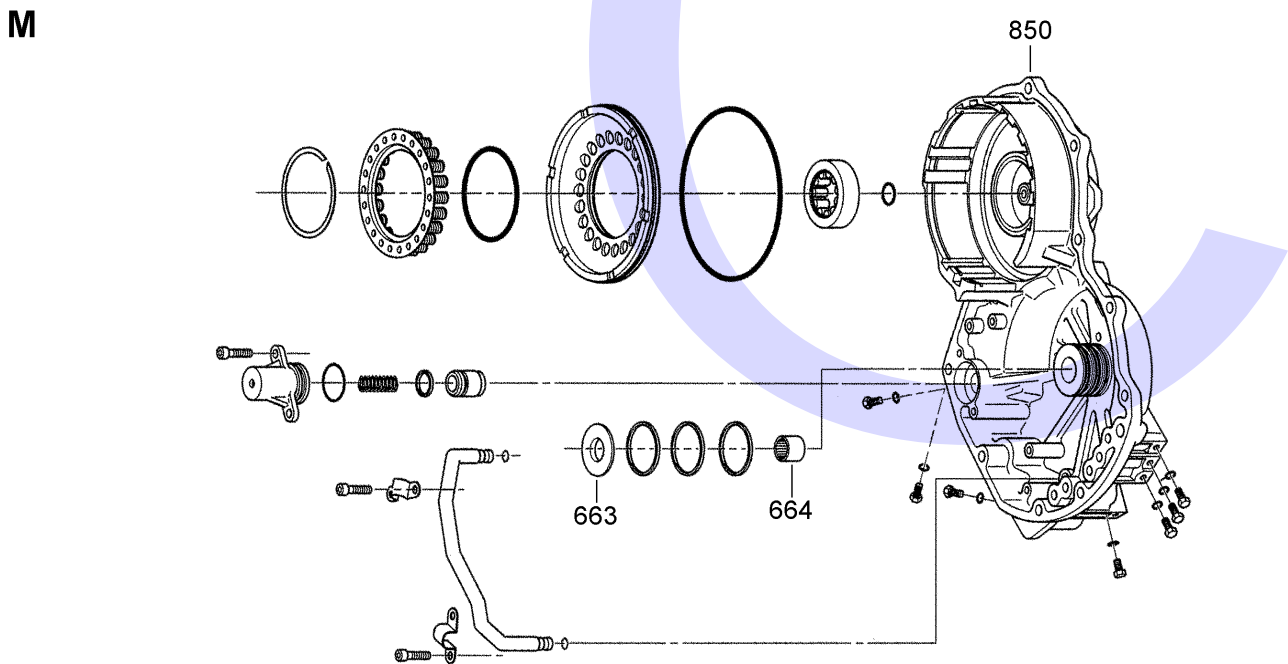
4 - 5 Clutch Assy ('C3')



1 - 2 - Reverse Carrier Gear Assy



1 - 2 - Reverse Clutch Assy ('B5')



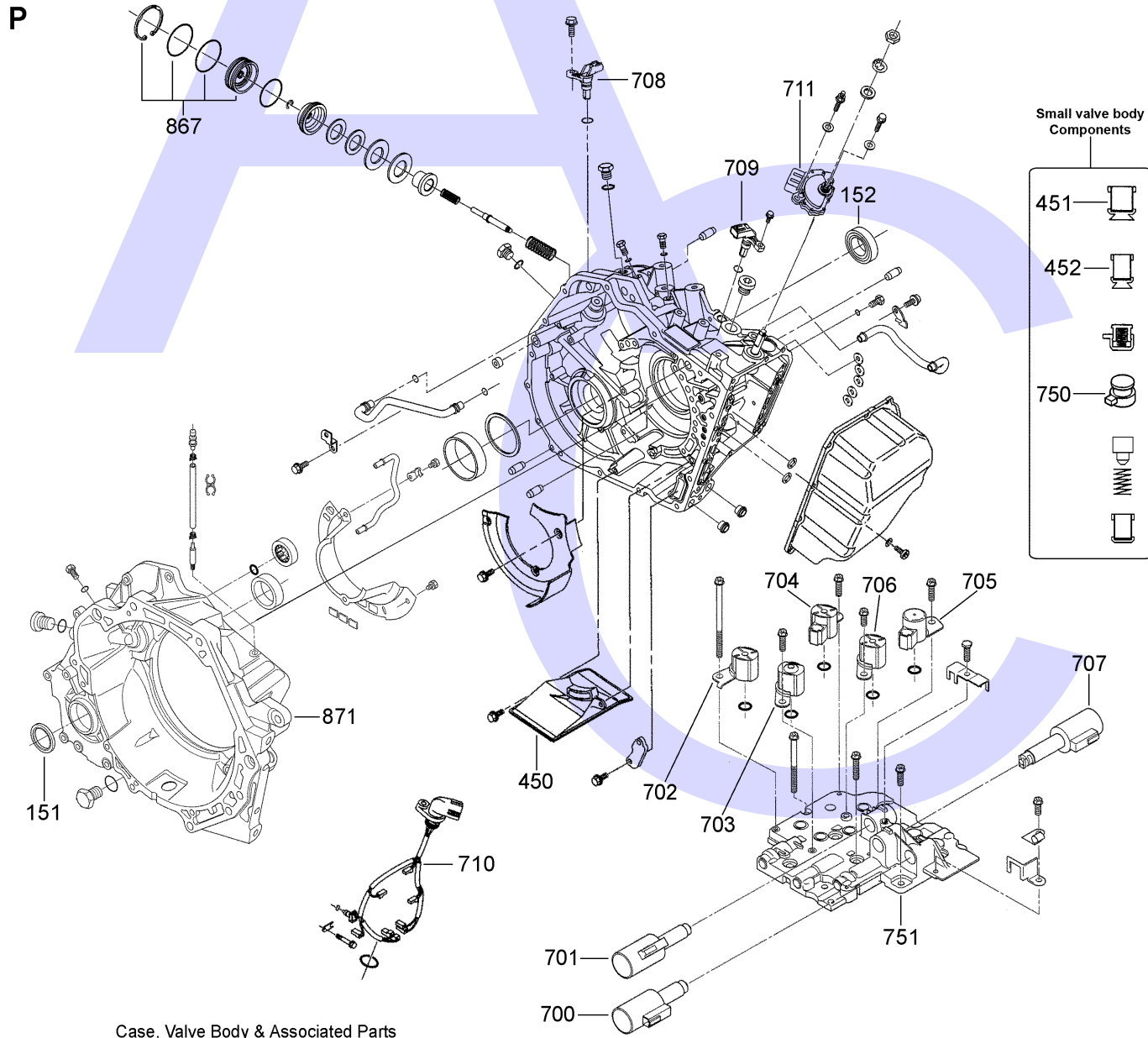
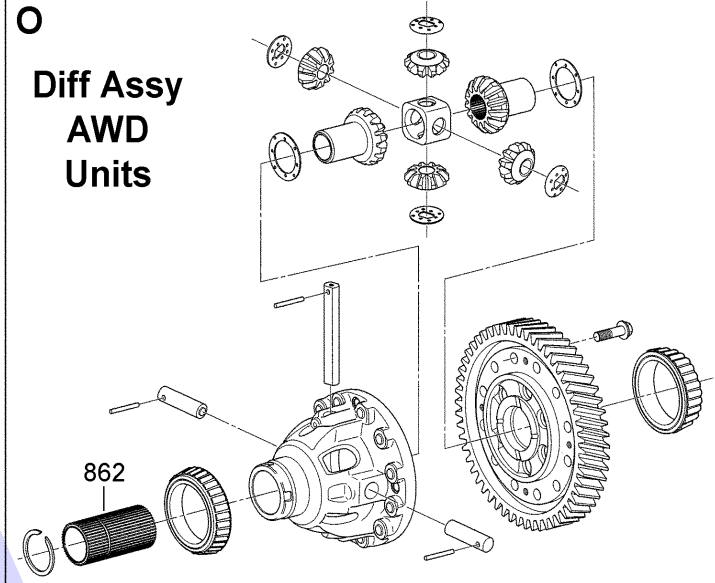
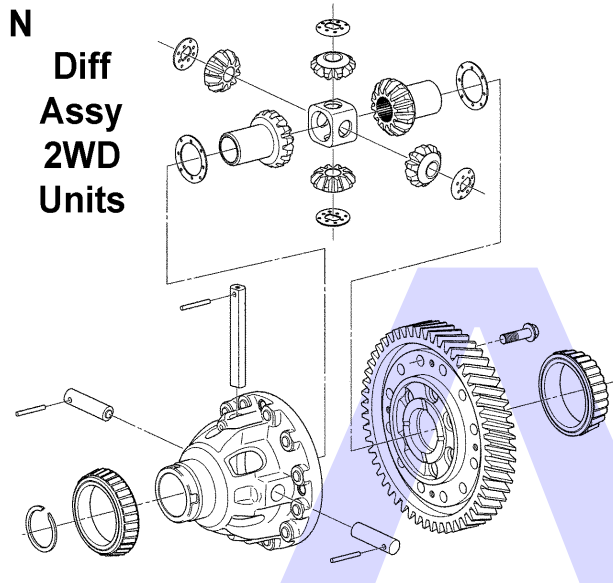
End Cover Assy

AW55-50SN, AW55-51SN

5 SPEED FWD (Electronic Control)



AUTOMATIC CHOICE



THE AUTOMATIC TRANSMISSION PARTS WAREHOUSE

Case, Valve Body & Associated Parts

AW55-50SN, AW55-51SN

5 SPEED FWD (Electronic Control)

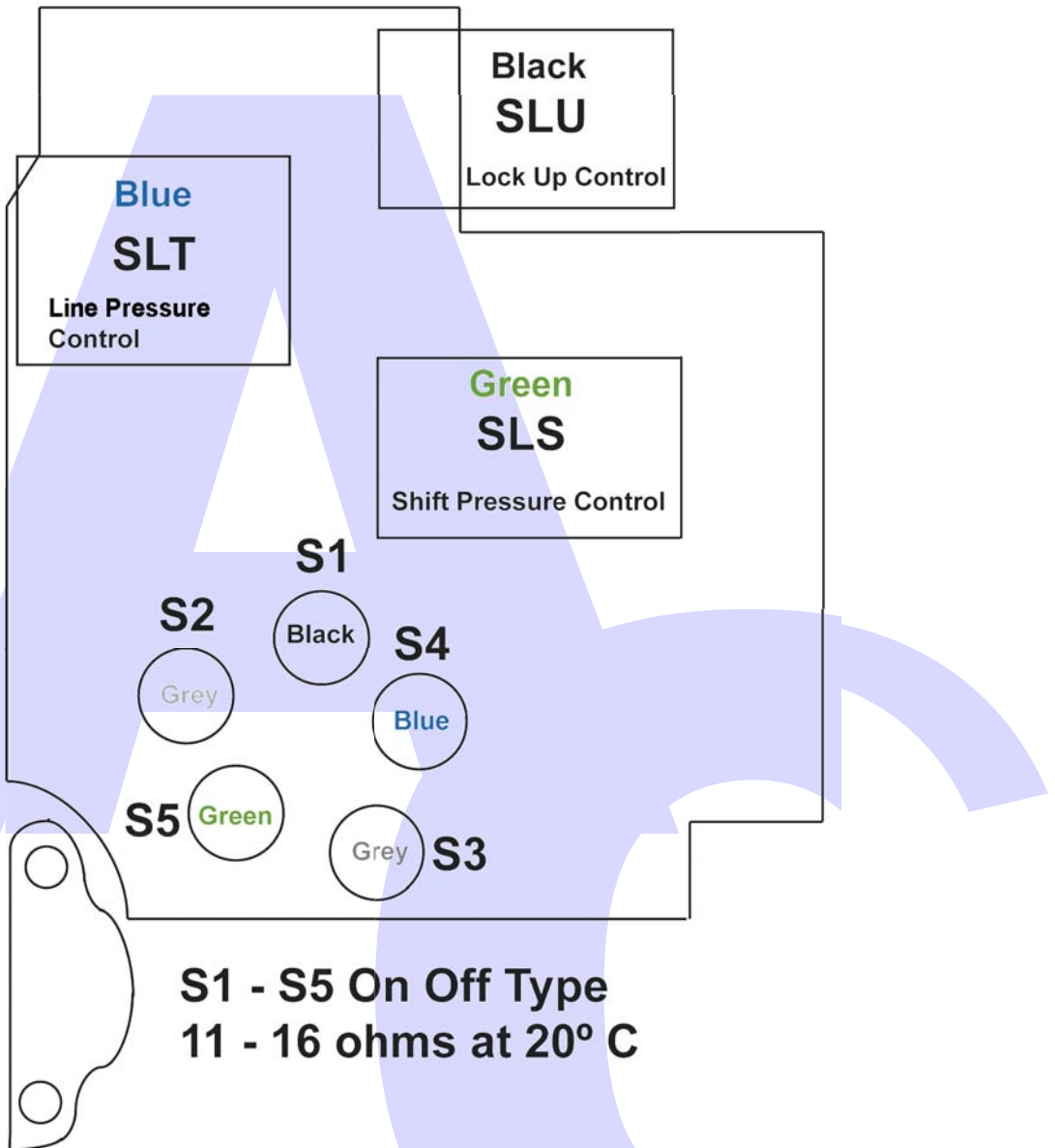


AUTOMATIC CHOICE



THE AUTOMATIC TRANSMISSION PARTS WAREHOUSE

55-50SN Solenoid Information



S1 - S5 On Off Type
11 - 16 ohms at 20° C

- 'S1'/Reverse, 1st Shift Solenoid
- 'S2'/2-3, 3-4 Shift Solenoid
- 'S3'/1-2, 2-3, Reverse Shift Solenoid
- 'S4'/3-4, 4-5 Shift Solenoid
- 'S5'/Reverse Shift Solenoid

AW55-50SN, AW55-51SN

5 SPEED FWD (Electronic Control)



AUTOMATIC CHOICE



THE AUTOMATIC TRANSMISSION PARTS WAREHOUSE

ILL NO.	DESCRIPTION	YEARS	QTY	PART NO
KITS				
Kit	Master Overhaul Volvo (Precision).....	99-ON	1	5550.MOHK03
Kit	Banner Kit Volvo (Precision) (Inc Friction & Steel Plates	99-ON	1	5550.BAK03
Kit	Overhaul Kit (OEM Volvo).....	99-ON	1	5550.OHK01
Kit	Overhaul Kit (Transtec) (Volvo/Nissan).....	99-ON	1	5550.OHK02
Kit	Overhaul Kit (Precision All).....	99-ON	1	5550.OHK03
Kit	Valve Body Gasket Kit (Transtec) (Includes Opel/Vauxhall).....	99-ON	1	5550.GK01
Kit	Valve Body Gasket Kit OEM (Saab/Opel) (Use with 5550.OHK01 & 03) ...	99-ON	1	5550.GK02
Kit	Valve Body Gasket Kit (Volvo).....	99-ON	1	5550.GK03
Kit	Valve Body Gasket Kit (OEM) (Saab, Volvo, Opel).....	99-ON	1	5550.GK04
Kit	Valve Body Component Kit (Contains #750P, #451, #452 & 'O' Rings)	99-ON	1	5550.VBK01
GASKETS				
NI	Valve Body Cover (Duraprene).	99-ON	1	5550.GAS01
NI	Valve Body gasket Upper (Volvo).....	99-ON	1	5550.GAS03
NI	Valve Body Gasket Lower (Volvo).....	99-ON	1	5550.GAS04
RUBBER COMPONENTS				
120A	Pump Outer 'O' Ring.....	99-ON	1	AF20.OR01
METAL CLAD SEALS				
150A	Converter Seal.....	99-ON	1	BW55.MCS01
151P	Axle Right Hand (Vectra OEM).	99-ON	1	5550.MCS02
151P	Axle Right Hand (Volvo) (75mm x 39mm x 10mm).....	99-ON	1	5550.MCS06
152P	Axle Left Hand (Vectra OEM) ...	99-ON	1	5550.MCS02
152P	Axle Left Hand (Volvo) (75mm x 39mm x 10mm).....	99-ON	1	5550.MCS06
152P	Axle Left Hand (Volvo XC70) (63mm x 40mm x 8mm).....	99-ON	1	5550.MCS07
NI	Volvo AWD Output.....	99-ON	1	5550.MCS04
NI	4 x 4 Shaft Inner	99-ON	1	5550.MCS05
MOULDED PISTONS				
SEALING RINGS				
FRICITION PLATES				
Kit	Friction Plate (Volvo).....	99-ON	1	5550.FRK01
Kit	Friction Plate (Vectra)	99-ON	1	5550.FRK02
Kit	Friction Plate (Alto Combi).....	99-ON	1	5550.FRK53
Kit	Friction Plate (Alto) (55-51SN)..	05-ON	1	5550.FRK54
Kit	Friction Plate (Alto) (Saturn AF23-5)	03-ON	1	AF20.FRK54
250B	'B2' Second Brake (160mm OD x 1.70mm x 40T) ..	99-ON	4	AF20.FRP07
251B	'B1' Second Coast Brake (107mm OD x 1.70mm x 34T) ..	99-ON	2-3	AF20.FRP01
252E	'B3' Low Reverse Brake (160mm x 1.70mm x 33T).....	99-ON	3-5	AF20.FRP03

ILL NO.	DESCRIPTION	YEARS	QTY	PART NO
FRICITION PLATES Cont...				
253G	'C1' Forward Clutch (136mm OD x 1.70mm x 49T) ..	99-ON	4	5550.FRP05
253G	'C1' Forward Clutch (Alto) (136mm OD x 1.70mm x 49T) ..	99-ON	4	5550.FRP55
254G	'C2' Direct Clutch (108mm x 1.70mm x 34T).....	99-ON	4	5550.FRP04
254G	'C2' Direct Clutch (Alto) (108mm x 1.70mm x 34T).....	99-ON	4	5550.FRP54
254G	'C2' Direct Clutch (108mm x 1.50mm x 34T).....	99-ON	4	5550.FRP08
254G	'C2' Direct Clutch (Alto) (108mm x 1.50mm x 34T).....	99-ON	4	5550.FRP58
255K	'C3' 4-5 Clutch (114mm OD x 1.70mm x 34T) ..	99-ON	4	AF20.FRP05
255K	'C3' 4-5 Clutch (Alto) (114mm OD x 1.70mm x 34T) ..	99-ON	4	AF20.FRP55
255K	'C3' 4-5 Clutch (Alto) (55-51SN) (114mm OD x 1.50mm x 34T) ..	05-ON	4	AF20.FRP59
256L	'B5' 1-2-Reverse Brake (141mm OD x 1.70mm x 47T) ..	99-ON	6	5550.FRP07
256L	'B5' 1-2-Reverse Brake (Alto) (141mm OD x 1.70mm x 47T) ..	99-ON	6	5550.FRP57
STEEL PLATES				
Kit	Steel Plate	99-ON	1	5550.STK01
Kit	Steel Plate (Alto).....	99-ON	1	5550.STK51
Kit	Steel Plate (Alto) (Saturn AF23-5)	03-ON	1	AF20.STK54
300B	'B2' Second Brake (141mm ID x 1.80mm x 10T)....	99-ON	4	AF20.STP09
300B	Steel Plate B2 (2nd Brake) (141mm ID x 4.00mm x 10T)....	99-ON	4	AF20.STP12
301B	'B1' Second Coast Brake (107mm x 1.80mm x 8T).....	99-ON	2-3	AF20.STP01
302E	'B3' Low Reverse Brake (144mm ID x 1.80mm x 13T)....	99-ON	2-4	5550.STP03
303G	'C1' Forward Clutch (114mm ID x 2.00mm x 12T)	99-ON	AR	AF20.STP10
304G	'C2' Direct Clutch (91mm ID x 1.80mm x 12T).....	99-ON	4	AF20.STP05
305K	'C3' 4-5 Clutch (91mm ID x 1.80mm x 18T)....	99-ON	4	AF20.STP06
306L	'B5' 1-2-Reverse Brake (124mm ID x 1.80mm x 12T)....	99-ON	6	5550.STP07
PRESSURE PLATES				
SPRINGS & CIRCLIPS				
FILTERS				
450P	Filter (OEM) (Volvo & Some Saab)	99-ON	1	5550.FIL01
450P	Filter (Aftermarket) (Volvo & Some Saab)	99-ON	1	5550.FIL11
450P	Filter (OEM) (Vectra & Some Volvo/Saab)	99-ON	1	5550.FIL02
450P	Filter (Aftermarket) (Vectra & Some Volvo/Saab)	99-ON	1	5550.FIL02
451P	Valve Body Filter (Large)	99-ON	1	5550.FIL04
452P	Valve Body Filter (Small)	99-ON	1	5550.VA02

AW55-50SN, AW55-51SN

5 SPEED FWD (Electronic Control)



AUTOMATIC CHOICE



THE AUTOMATIC TRANSMISSION PARTS WAREHOUSE

ILL NO.	DESCRIPTION	YEARS	QTY	PART NO
BANDS				
500K	'B4' Band (52mm Wide) (OEM)	99-ON	1	5550.BAN01
500K	'B4' Band (52mm Wide) (Aftermarket)	99-ON	1	5550.BAN02
BUSHINGS				
Kit	Bushing Kit (Planet & Sun Gears Only)	99-ON	1	5550.BK02
NI	Planetary, 1 Piece Bush that Replaces 2 Bushings	99-ON	1	5550.BUS02
NI	Sun Gear With Shaft (12mm High)	99-ON	1	5550.BUS03
NI	Sun Gear (Large) (10mm High)	99-ON	1	5550.BUS04
THRUST WASHERS & BEARINGS				
Kit	Plastic Thrust Washer Kit	99-ON	1	5550.TWK01
601C	Thrust Washer (Plastic) 2nd Coast Hub to 2nd Brake Hub (77.30mm OD x 56.50mm ID)	99-ON	1	5550.THW02
602C	Thrust Washer (Plastic) 2nd Brake Hub to Output Gear (99.30mm OD x 56.50mm ID)	99-ON	1	5550.THW01
606L	Thrust Washer (Plastic) 1-2 & Rev Carrier (Front) (77.60mm OD x 66.80mm ID)	99-ON	1	5550.THW03
607L	Thrust Washer (Plastic) 1-2 & Rev Carrier (Rear) (77.60mm OD x 66.80mm ID)	99-ON	1	5550.THW03
659H	Bearing Race, Forward & Direct Drum to End Cover (Front)	99-ON	1	AF20.THW01
660H	Radial Needle Bearing, Forward & Direct Drum to End Cover	99-ON	1	5550.TOR01
663M	Bearing Race, Forward & Direct Drum to End Cover (Rear) (17.50mm ID)	99-ON	1	5550.THW04
663M	Bearing Race, Forward & Direct Drum to End Cover (Rear) (22.00mm ID)	99-ON	1	5550.THW05
664M	Needle Bearing, End Cover (Small Diameter)	99-ON	1	5550.BE01
664M	Needle Bearing, End Cover (Large Diameter)	99-ON	1	5550.BE02
ELECTRICAL COMPONENTS				
700P	Lock Up Control Solenoid ('SLU')	99-ON	1	5550.SOL08
701P	Shift Pressure Control Solenoid ('SLS') (After Serial No. 02E †)	6/02-ON	1	5550.SOL09
702P	1-2, 2-3, Reverse Shift Solenoid ('S3')	99-ON	1	5550.SOL03
703P	3-4, 4-5 Shift Solenoid ('S4')	99-ON	1	5550.SOL04
704P	Reverse Shift Solenoid ('S5')	99-ON	1	5550.SOL05
705P	2-3, 3-4 Shift Solenoid ('S2') (Normally Closed, Grey Connector) (Volvo/Renault)	99-ON	1	5550.SOL02
705P	2-3, 3-4 Shift Solenoid ('S2') (Normally Open, Black Connector) (Vauxhall/Opel/Saab)	99-ON	1	5550.SOL14
706P	Reverse, 1st Shift Solenoid Black Connector (Fits Front Control Body With No Code & Code 'A') ('S1' See end of section)	99-01	1	5550.SOL01

ILL NO.	DESCRIPTION	YEARS	QTY	PART NO
ELECTRICAL COMPONENTS Cont...				
706P	Reverse, 1st Shift Solenoid Black Connector (Fits Front Control Body With Codes 'B' & 'C') ('S1' † See end of section)	02-ON	1	5550.SOL13
707P	Line Pressure Control Solenoid ('SLT') (After Serial No. 02E †)	6/02-ON	1	5550.SOL10
708P	Output Speed Sensor (2 Flat Connectors Volvo)	99-ON	1	5550.ELE02
708P	Output Speed Sensor (2 Flat Pins Opel)	99-ON	1	5550.ELE03
708P	Output Speed Sensor (Renault)	99-ON	1	5550.ELE06
709P	Input Speed Sensor (2 Flat Pins Opel)	99-ON	1	5550.ELE03
709P	Input Speed Sensor (2 Round Pins)	99-ON	1	5550.ELE01
709P	Input Speed Sensor (Renault)	99-ON	1	5550.ELE06
708P & 709P	Input & Output Speed Sensors (Combined With 60cm & 90cm Leads Volvo)	99-ON	1	5550.ELE04
710P	Valve Body Loom Volvo (3rd Generation 02E-On) It is the same electrically as the 2nd generation loom (round main connector) which fits up to 02E Volvo vehicles, but is slightly longer inside the transmission to accommodate the connectors being rotated 90 degrees on the line pressure & shift pressure solenoid's. The 1st generation loom has a square connector.	01-ON	1	5550.ELE05
710P	Wiring Harness (Volvo) (Early Loom to Late Solenoids)	01-ON	1	5550.ELE11
710P	Wiring Harness (Saab) (To Fit Early Type SLS & SLT Solenoids and Externally Has Two 16 Pin Connectors, One Male, One Female, Also Has Connections For Both Speed Sensors and the Selector Position Switch)	01-ON	1	5550.ELE08
710P	Wiring Harness (Vauxhall/Opel) (Short Wire)	01-ON	1	5550.ELE09
710P	Wiring Harness (Vauxhall/Opel) (Long Wire)	01-ON	1	5550.ELE10
711P	Range Switch (Renault)	01-ON	1	5550.ELE07
NI	Bracket, Solenoid Retaining (Use With SLS & SLT †)	99-ON	1	5550.SOL12
Click here to see location of valve body codes				
† Click here to see fitment notes for SLT & SLS Solenoids				
VALVE BODY PARTS				
NI	Valve Body Assy (Volvo) (Remanufactured OCR)	99-ON	1	5550.VA33
NI	Valve Body Assy (Saab) (Remanufactured OCR)	99-ON	1	5550.VA43
750P	Accumulator Check Valve Assy	99-ON	9	5550.VA01
751P	Front Valve Body Casting (Early Style)	99-ON	1	5550.VB07

AW55-50SN, AW55-51SN

5 SPEED FWD (Electronic Control)



AUTOMATIC CHOICE



THE AUTOMATIC TRANSMISSION PARTS WAREHOUSE

ILL NO.	DESCRIPTION	YEARS	QTY	PART NO
VALVE BODY PARTS Cont...				
751P	Front Valve Body Casting (Late Style)	99-ON	1	5550.VB08
Kit	Oversized Pressure Regulator & Boost Valve (Requires Toolkit 5550.VA04) (Sonnax® Click Here for Info) ...	99-ON	1	5550.VA03
Kit	Toolkit for 5550.VA03 (Sonnax®).....	99-ON	1	5550.VA04
Kit	Main Boost Valve & Sleeve (Sonnax® Click Here for Info) ...	99-ON	1	5550.VA05
Kit	Solenoid Modulator Valve Capsule (Sonnax® Click Here for Info) ...	99-ON	1	5550.VA06
Kit	Solenoid Relay Valve & Sleeve (Sonnax® Click Here for Info) ...	99-ON	1	5550.VA07
NI	Valve, Solenoid Relay (OEM) ...	99-ON	1	5550.VA11
Kit	Lock-Up Relay Control Valve & Sleeve (Sonnax® Click Here for Info) ...	99-ON	1	5550.VA08
NI	Sleeve, Lock-Up Relay (OEM) ...	99-ON	1	5550.VA10
Kit	Lock-Up Control Valve & Sleeve (Sonnax® Click Here for Info) ...	99-ON	1	5550.VA09
Kit	LPC Accumulator Piston Kit (Sonnax® Click here for Info) ...	99-ON	1	5550.VA12
Kit	'O'-Ringed End Plug Kit (Sonnax® Click here for Info) ...	99-ON	1	5550.VA13
Kit	Secondary Regulator Valve & Spring Kit (Requires Tool 5550.VA15 & Valve Body Fixture AG4.VA05) (Sonnax® Click here for Info) ...	99-ON	1	5550.VA14
Kit	Toolkit for 5550.VA14 (Sonnax®).....	99-ON	1	5550.VA15
Kit	Universal Valve Body Fixture (Sonnax® Click here for Info) ...	99-ON	1	AG4.VA05
Kit	Valve Body Component Kit (Contains #750P, #451, #452 & 'O' Rings)	99-ON	1	5550.VBK01
Kit	'B4' Release Valve Kit (Requires 5550.VA17 Toolkit & Valve Body Fixture AG4.A05) (Sonnax® Click here for Info) ...	99-ON	1	5550.VA16
Kit	Toolkit for 5550.VA16 (Sonnax®).....	99-ON	1	5550.VA17
NI	Valve Body Assembly (Volvo Updated) (Need Transmission Code)	99-ON	1	5550.VB01
NI	Valve Body Assembly (Volvo Updated) (Need Transmission Code)	99-ON	1	5550.VB03
NI	Valve Body Assy (Volvo Updated) (Also Requires 5550.ELE05) (Need Transmission Code)	99-ON	1	5550.VB06
NI	Valve Body Assy (Volvo Updated) (Also Requires 5550.ELE05) (Need Transmission Code)	99-ON	1	5550.VB09
NI	Valve Body Assembly (Remanufactured) (Volvo O.C.R.).....	99-ON	1	5550.VB33
NI	Valve Body Assy (Updated Saab) (Need Transmission Code)	99-ON	1	5550.VB04
NI	Valve Body Assy (Saab) (Need Transmission Code)	99-ON	1	5550.VB05
NI	Valve Body Assembly (Remanufactured) (Saab O.C.R.)	99-ON	1	5550.VB43
NI	Valve Body Assembly (Remanufactured) (Vauxhall/Opel O.C.R.)	99-ON	1	5550.VB40
NI	Separator Plate (W/Gaskets) (Vectra '3A')	99-ON	1	5550.SP01
NI	Separator Plate (W/Gaskets) (Volvo '2D').....	99-ON	1	5550.SP02

ILL NO.	DESCRIPTION	YEARS	QTY	PART NO
HARD PARTS				
803A	Pump Stator (22mm Shaft).....	99-ON	1	5550.PUM01
820F	Front Planetary (Renault/Volvo)	99-ON	1	5550.PL01
822F	Large Annulus, Front Planetary (Renault/Volvo)	99-ON	1	5550.GE01
825F	Sun Gear, Front Carrier (1 Piece 27 Tooth).....	99-ON	1	5550.SUN03
HARD PARTS Cont...				
832H	'C1'/C2' Drum (22mm Shaft) (20 Spline)	99-ON	1	5550.DRU01
832H	'C1'/C2' Drum (Late Model 7 Holes in Shaft) (Has 6 holes on one side and 1 hole on the other side) (22m Shaft).....	99-ON	1	5550.DRU03
832H	'C1'/C2' Drum (Late Model 10 Holes in Shaft) (Has 8 holes on one side and 2 hole on the other side) (22m Shaft).....	99-ON	1	5550.DRU06
NI	Conversion Kit, Converts Units With 21.5mm Input Shaft to 22mm Input Shaft Kit Contains 'C1'/C2' Drum with 22mm Input Shaft, Stator Support & Both Sungears Retro Fits All 55-50SN Transmissions With 21.5mm Input Shaft	99-ON	1	5550.UP001
842K	'C3' Drum (With Sun Gear).....	99-ON	1	5550.DRU02
850M	End Cover (Volvo).....	99-ON	1	5550.CAS01
850M	End Cover (Renault)	99-ON	1	5550.CAS02
862O	4 x 4 Splined Stub Shaft	99-ON	1	5550.SH01
867P	Servo Cap Kit (Volvo)	99-ON	1	5550.CAP01
871P	Bell Housing Casing (Volvo Check Trans I.D.).....	99-ON	1	5550.CAS04
SPECIAL ITEMS				
TOOLS & MANUALS				
NI	GM Operation Manual AW55-50SN/AF23/33-5	99-ON		5550.MAN01
NI	Test Plate for Hydraulic Test Tool TOOL.139	99-ON		5550.TOOL01
Kit	Universal Valve Body Fixture (Sonnax® Click here for Info) ...	99-ON	1	AG4.VA05
Kit	Toolkit for 5550.VA03 (Sonnax®).....	99-ON	1	5550.VA04
Kit	Toolkit for 5550.VA14 (Sonnax®).....	99-ON	1	5550.VA15