

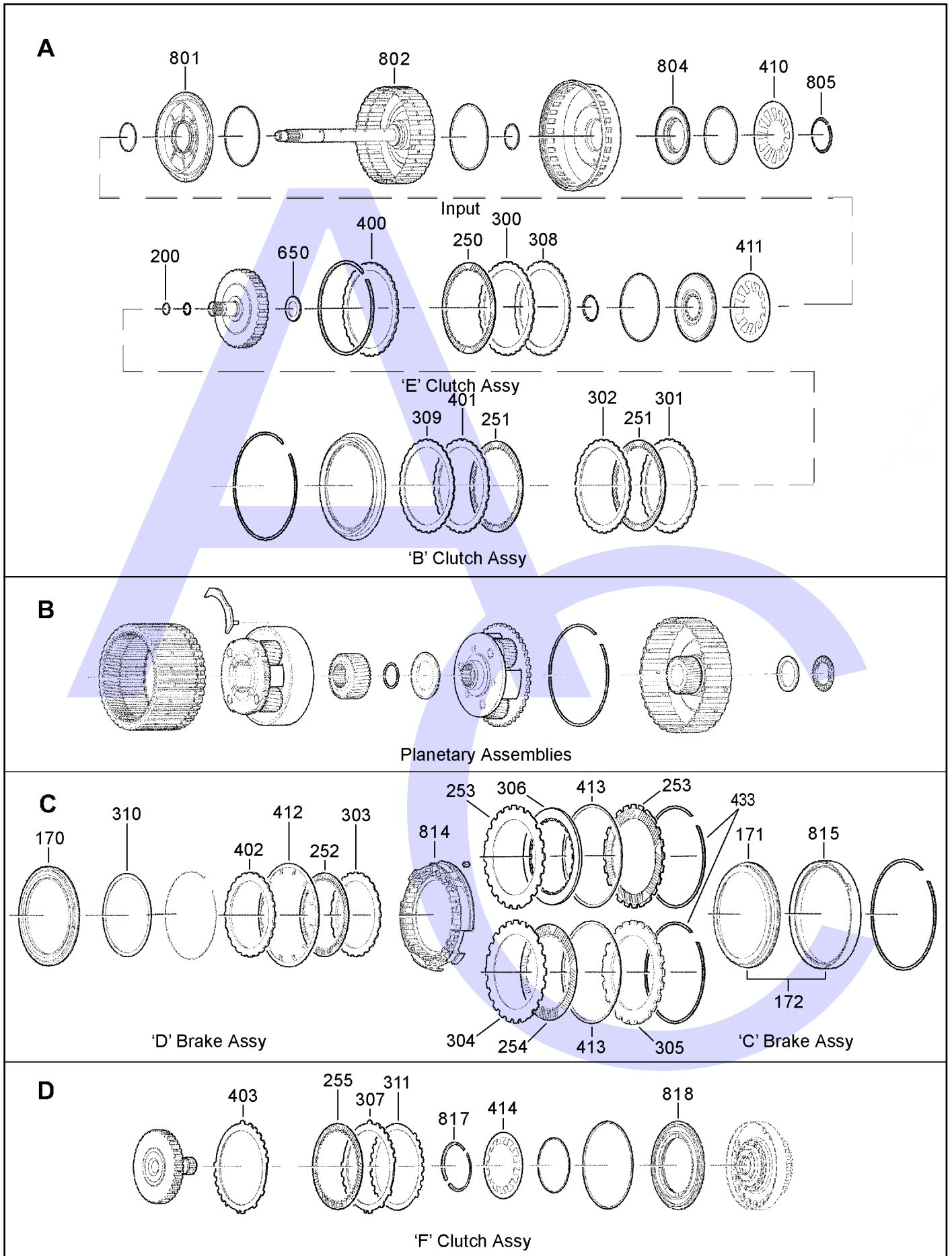
ZF 4HP20 (LMO) (RENAULT,CITROEN,PEUGEOT,FIAT,ALFA,MERCEDES) 4 SPEED FWD (Electronic Control) Code: 1019 000 xxx



AUTOMATIC CHOICE



THE AUTOMATIC TRANSMISSION PARTS WAREHOUSE



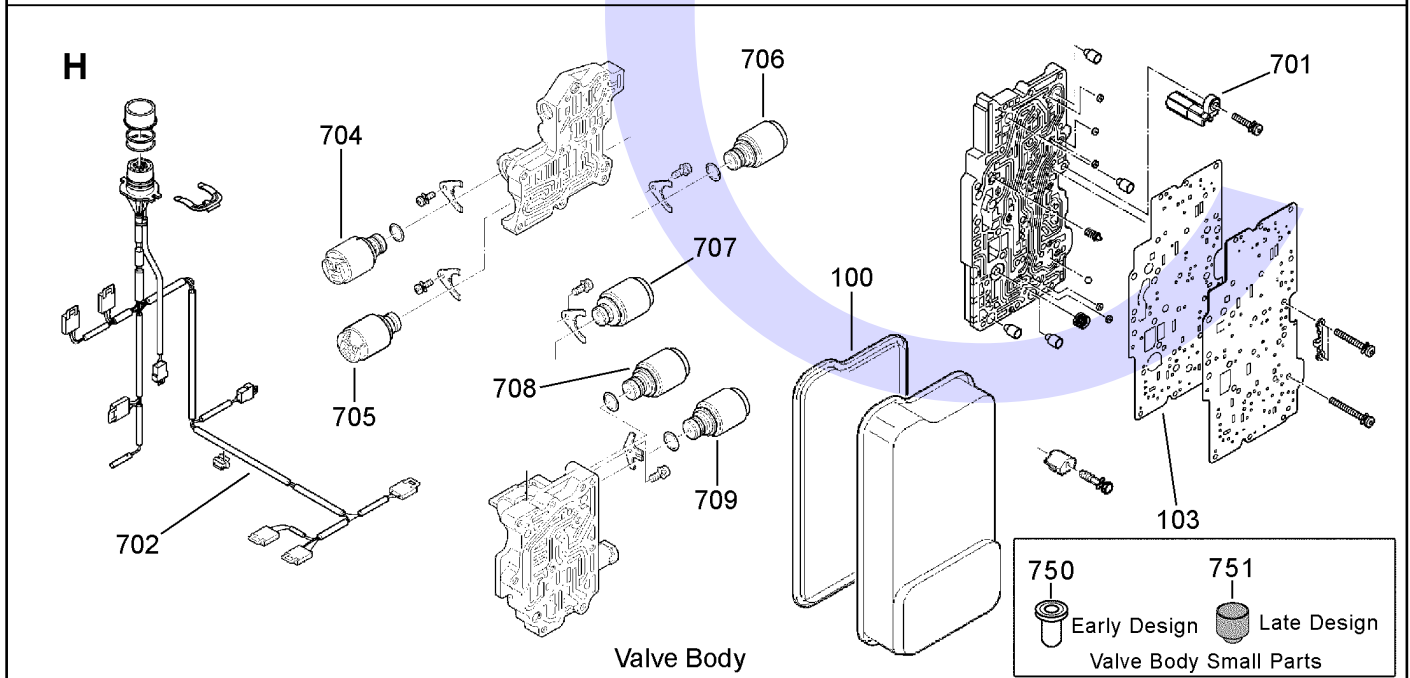
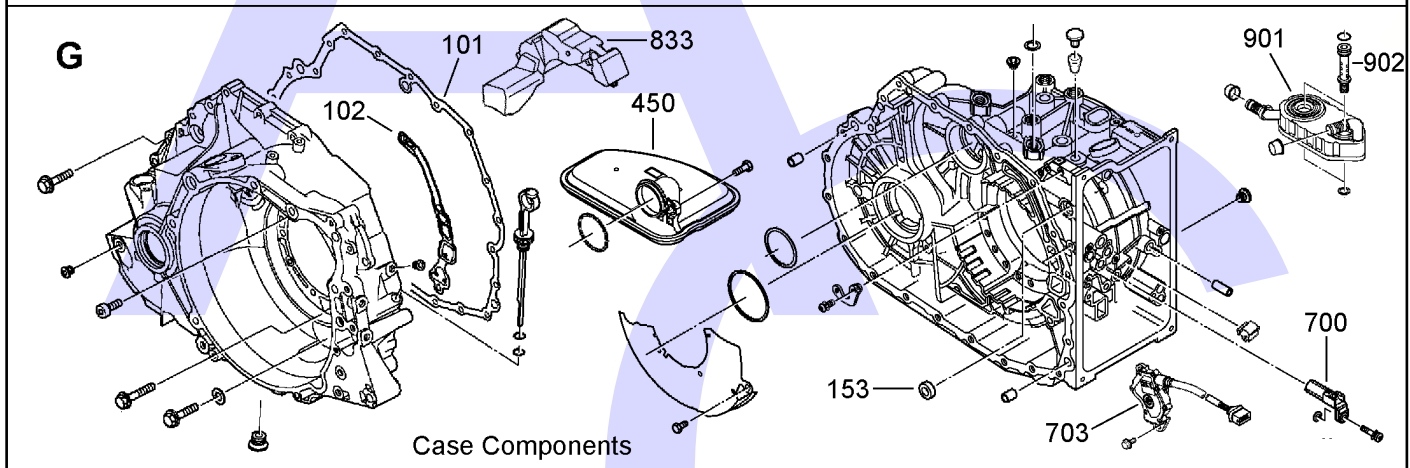
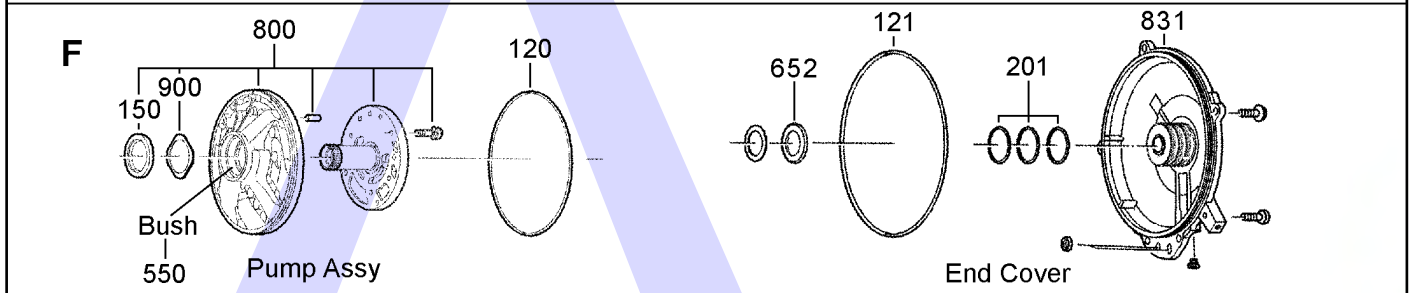
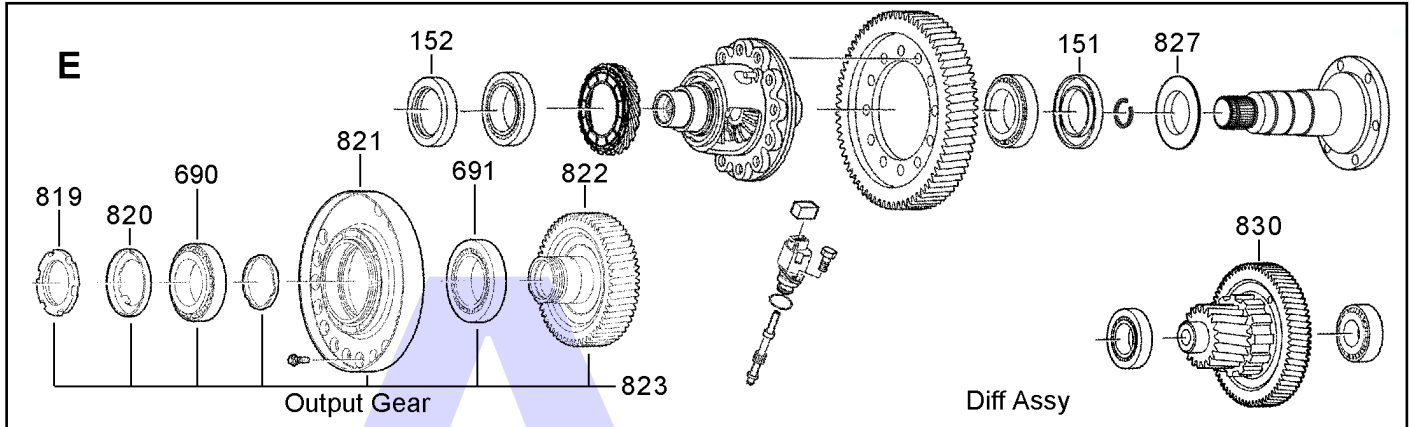
ZF 4HP20 (LMO) (RENAULT, CITROEN, PEUGEOT, FIAT, ALFA, MERCEDES) 4 SPEED FWD (Electronic Control) Code: 1019 000 xxx



AUTOMATIC CHOICE



THE AUTOMATIC TRANSMISSION PARTS WAREHOUSE



ZF 4HP20 (LMO) (RENAULT,CITROEN,PEUGEOT,FIAT,ALFA,MERCEDES)

4 SPEED FWD (Electronic Control) Code: 1019 000 xxx



AUTOMATIC CHOICE



THE AUTOMATIC TRANSMISSION PARTS WAREHOUSE

ILL NO.	DESCRIPTION	YEARS	QTY	PART NO
KITS				
Kit	Overhaul Kit (OEM) (Renault, Citroen & Peugeot) (Will fit Alfa if supplied with 4HP20.GAS02)	95-ON	1	4HP20.OHK01
Kit	Overhaul Kit (OEM) (Mercedes).....	97-ON	1	4HP20.OHK02
Kit	Overhaul Kit (OEM) (Fiat, Lancia, Alfa).....	98-ON	1	4HP20.OHK03
Kit	Overhaul Kit (Precision) (All Models).....	95-ON	1	4HP20.OHK51
Kit	Valve Body Service Kit.....	95-ON	1	4HP20.OHK04
GASKETS				
100H	Valve Body Cover	95-ON	1	4HP20.GAS01
101G	Main Case Gasket (Fiat, Lancia, Mercedes)	97-ON	1	4HP20.GAS02
101G	Main Case Gasket (Peugeot, Citroen, Renault)	95-ON	1	4HP20.GAS05
102G	Inner Main Case Gasket	95-ON	1	4HP20.GAS03
103H	Valve Body Gasket	95-ON	1	4HP20.GAS04
RUBBER COMPONENTS				
120F	Pump Outer 'O' Ring.....	95-ON	1	4HP20.OR01
121F	End Cover to Case 'O' Ring.....	95-ON	1	5HP18.OR02
METAL CLAD SEALS				
150F	Pump Body	95-ON	1	4HP18.MCS01
151E	Diff L.H (All Except Mercedes)..	95-ON	1	4HP20.MCS04
151E	Diff L.H 45x62x7 (Mercedes)	95-ON	1	4HP20.MCS06
152E	Diff R.H (All Except Mercedes) .	95-ON	1	4HP20.MCS05
152E	Diff R.H 40x58x10/19 (Merc)	95-ON	1	4HP20.MCS07
153G	Selector Shaft Seal.....	95-ON	1	CTX.MCS13
MOULDED PISTONS				
170C	'D' Brake	95-ON	1	4HP20.PIS01
171C	'C' Brake Box Codes (005, 007, 008, 010, 018)	95-ON	1	4HP20.PIS02
171C	'C' Brake Except Box Codes (005, 007, 008, 010, 018)	95-ON	1	4HP20.PIS03
172C	'C' Brake Piston & Cylinder Assy Except Box Codes (005, 007, 008, 010, 018)	95-ON	1	4HP20.PISKIT
SEALING RINGS				
200A	'E' Clutch/Input Shaft	95-ON	1	4HP20.SSR01
201F	Rear Cover	95-ON	3	4HP20.SSR02
FRICITION PLATES				
Kit	Friction Plate.....	95-ON	1	4HP20.FRK01
Kit	Friction Plate (Alto)	95-ON	1	4HP20.FRK51
250A	'E' Clutch	95-ON	5	4HP20.FRP04
251A	'B' Clutch.....	95-ON	3	4HP20.FRP04
252C	'D' Brake	95-ON	4	5HP19.FRP02
253C	'C' Brake Except Box Codes (005, 007, 008, 010, 018)	95-ON	2	4HP20.FRP03
254C	'C' Brake Box Codes (005, 007, 008, 010, 018 Only) .	95-ON	1	4HP20.FRP02
255D	'F' Clutch	95-ON	3	5HP19.FRP02

ILL NO.	DESCRIPTION	YEARS	QTY	PART NO
STEEL PLATES				
Kit	Steel Plate (Check Codes)	95-ON	1	4HP20.STK01
Kit	Steel Plate (Alto).....	95-ON	1	4HP20.STK51
300A	'E' Clutch Box Codes (005, 007, 008, 010, 018 Only ..	95-ON	4-5	4HP20.STP09
300A	'E' Clutch All Except Box Codes (005, 007, 008, 010, 018)	95-ON	4-5	4HP20.STP11
301A	'B' Clutch 3.90mm Box Codes (005, 007, 008, 010, 018 Only) .	95-ON	1	4HP20.STP12
301A	'B' Clutch 3.90mm Except Box Codes (005, 007, 008, 010, 018)	95-ON	1	4HP20.STP14
302A	'B' Clutch 2.40mm Box Codes (005, 007, 008, 010, 018 Only) .	95-ON	1-2	4HP20.STP13
302A	'B' Clutch 2.40mm Except Box Codes (005, 007, 008, 010, 018)	95-ON	1-2	4HP20.STP15
303C	'D' Brake 1.80mm Box Codes (005, 007, 008, 010, 018 Only) .	95-ON	4	4HP20.STP03
303C	'D' Brake 1.80mm Except Box Codes (005, 007, 008, 010, 018)	95-ON	4	4HP20.STP05
304C	'C' Brake 1.80mm Box Codes (005, 007, 008, 010, 018 Only) .	95-ON	1	4HP20.STP06
305C	'C' Brake 3.00mm Box Codes (005, 007, 008, 010, 018 Only) .	95-ON	1	4HP20.STP07
306C	'C' Brake Except Box Codes (005, 007, 008, 010, 018)	95-ON	1	4HP20.STP08
307D	'F' Clutch	95-ON	3	4HP20.STP01
308A	'E' Clutch Wavy Steel.....	95-ON	1	4HP20.STP10
309A	'B' Clutch Wavy Steel.....	95-ON	1	4HP20.STP10
310C	'D' Brake Wavy Steel	95-ON	1	4HP20.STP04
311D	'F' Clutch Wavy Steel.....	95-ON	1	4HP20.STP02
PRESSURE PLATES				
400A	'E' Clutch 4.80mm Box Codes (005, 007, 008, 010, 018 Only) .	95-ON	1	4HP20.PP08
400A	'E' Clutch 4.80mm Except Box Codes (005, 007, 008, 010, 018)	95-ON	1	4HP20.PP10
400A	'E' Clutch 3.90mm Box Codes (005, 007, 008, 010, 018 Only) .	95-ON	1	4HP20.PP09
400A	'E' Clutch 3.90mm Except Box Codes (005, 007, 008, 010, 018)	95-ON	1	4HP20.PP11
401A	'B' Clutch Box Codes (005, 007, 008, 010, 018 Only) .	95-ON	1	4HP20.PP12
	(3.00mm)			4HP20.PP13
	(2.70mm)			4HP20.PP14
	(2.40mm)			4HP20.PP15
	(2.10mm)			4HP20.PP16
	(1.80mm)			4HP20.PP17
401A	'B' Clutch Except Box Codes (005, 007, 008, 010, 018)	95-ON	1	4HP20.PP18
	(3.00mm)			4HP20.PP19
	(2.70mm)			4HP20.PP20
	(2.40mm)			4HP20.PP21
	(2.10mm)			4HP20.PP04
	(1.80mm)			4HP20.PP05
402C	'D' Brake Box Codes (005, 007, 008, 010, 018 Only) .	95-ON	1	4HP20.PP06
	(2.40mm)			4HP20.PP07
	(2.10mm)			4HP20.PP08
	(1.80mm)			4HP20.PP09
402C	'D' Brake Except Box Codes (005, 007, 008, 010, 018)	95-ON	1	4HP20.PP06
	(2.40mm)			4HP20.PP07
	(2.10mm)			4HP20.PP07
	(1.80mm)			4HP20.PP07
403D	'F' Clutch Selective	95-ON	1	4HP20.PP01
	(3.60mm)			4HP20.PP02
	(3.30mm)			4HP20.PP03
	(3.00mm)			4HP20.PP03

ZF 4HP20 (LMO) (RENAULT,CITROEN,PEUGEOT,FIAT,ALFA,MERCEDES) 4 SPEED FWD (Electronic Control) Code: 1019 000 xxx



AUTOMATIC CHOICE



THE AUTOMATIC TRANSMISSION PARTS WAREHOUSE

ILL NO.	DESCRIPTION	YEARS	QTY	PART NO
SPRINGS & CIRCLIPS				
410A	'E' Clutch Diaphragm Spring.....	95-ON	1	4HP20.DIA05
411A	'B' Clutch Diaphragm Spring.....	95-ON	1	4HP20.DIA06
412C	'D' Brake Diaphragm Spring	95-ON	1	4HP20.DIA02
413C	'C' Brake Diaphragm Spring Except Box Codes (005, 007, 008, 010, 018)	95-ON	1	4HP20.DIA04
413C	'C' Brake Diaphragm Spring Box Codes (005, 007, 008, 010, 018 Only) .	95-ON	1	4HP20.DIA03
414D	'F' Clutch Diaphragm Spring.....	95-ON	1	4HP20.DIA01
433C	Circlip 'C' Brake Retaining (Selective) (1.50mm Thick).....	95-ON	AR	4HP20.CIR05
	(1.70mm Thick).....	95-ON	AR	4HP20.CIR03
	(1.80mm Thick).....	95-ON	AR	4HP20.CIR02
FILTERS				
450G	Pick Up Filter (Mercedes, Fiat, Alfa Romeo) (Also Peugeot Codes 1019 000 067, 073)	95-ON	1	4HP20.FIL01
450G	Pick Up Filter (OEM) (Mercedes, Fiat, Alfa Romeo) (Also Peugeot Codes 1019 000 067, 073)	95-ON	1	4HP20.FIL21
450G	Pick Up Filter (Peugeot, Citroen, Renault) (Except Codes 1019 000 067, 073)	95-ON	1	4HP20.FIL02
450G	Pick Up Filter (OEM) (Peugeot, Citroen, Renault) (Except Codes 1019 000 067, 073)	95-ON	1	4HP20.FIL22
BUSHINGS				
550F	Pump Body Bush (Oversize OD) (Pump requires machining) (Sonnax® Click here for Info) ...	95-ON	1	5HP19.BUS01
550F	Pump Body Bush (Oversize OD & Undersize ID) (Pump requires machining & Bush requires machining after fitting to fit converter neck) (Sonnax® Click here for Info) ..	95-ON	1	5HP19.BUS02
THRUST WASHERS & BEARINGS				
650A	Radial Bearing, 'E' Clutch Hub to Input Shaft	95-ON	1	4HP20.TOR01
652F	Radial Bearing, End Cover	95-ON	1	4HP20.TOR01
690E	Output Roller Bearing (Centre Support).....	95-ON	1	4HP20.BE02
691E	Output Roller Bearing	95-ON	1	4HP20.BE01
ELECTRICAL COMPONENTS				
700G	Inductive Output Speed Sensor (Fits in Case) All Except Codes (1019 000 037, 041 042, 052, 053, 054, 055, 056, 058, 063 064, 065, 066, 067, 068 & 073) 95-ON	95-ON	1	4HP20.ELE01
700G	Hall Effect Output Speed Sensor (Fits in Case) Codes (1019 000 037, 041, 042, 052, 053, 054, 055, 056, 058, 063, 064, 065, 066, 067, 068 & 073)	95-ON	1	4HP20.ELE06

ILL NO.	DESCRIPTION	YEARS	QTY	PART NO
ELECTRICAL COMPONENTS Cont...				
701H	Inductive Input Speed Sensor (Fits on Valve Body).....	95-ON	1	4HP20.ELE01
702H	Valve Body Loom & Temp Sensor (Fits Codes 1019 000 005, 007, 008, 009, 010, 013, 015, 016, 017, 018, 019, 020, 021, 022, 023, 024, 025, 027, 031, 032, 044, 045, 046, 047, 048, 049, 050, 060, 062, 071)	95-ON	1	4HP20.ELE02
702H	Valve Body Loom & Temp Sensor (Fits Codes 1019 000 037, 041, 042, 052, 053, 054, 055, 056, 058, 063, 064, 065, 066, 067, 068, 073, 074, 075, 077, 078, 081, 083)	95-ON	1	4HP20.ELE07
703G	Range Switch (Peugeot, Citroen) (Fits Codes 1019 000 009, 010, 013, 015, 017, 018, 020, 037, 041, 042, 044, 045, 046, 052, 053, 054, 055, 056, 058, 063, 064, 065, 066, 068, 074, 075, 078, 083)	95-ON	1	4HP20.ELE03
703G	Range Switch (Mercedes) (Fits Codes 1019 000 005, 007, 008, 021, 022, 023, 025, 027, 049, 050, 060, 071, 081)	95-ON	1	4HP20.ELE04
703G	Range Switch (Fiat) (Fits Codes 1019 000 019, 024, 062, 067, 073, 077)	95-ON	1	4HP20.ELE08
703G	Range Switch (Renault) (Fits Codes 1019 000 016, 031, 032, 047, 048)	95-ON	1	4HP20.ELE05
704H	PWM Solenoid (EDS6, Regulator 6)	95-ON	1	4HP20.SOL02
705H	Shift Solenoid (MV1).....	95-ON	1	4HP20.SOL01
706H	PWM Solenoid (EDS4, Regulator 4) (Pressure Control)	95-ON	1	4HP20.SOL03
707H	PWM Solenoid (EDS5, Regulator 5)	95-ON	1	4HP20.SOL02
708H	PWM Solenoid (EDS3, Regulator 3) (Lock Up Control).....	95-ON	1	4HP20.SOL02
709H	Shift Solenoid (MV2).....	95-ON	1	4HP20.SOL01
Kit	Solenoid Valve Kit.....	95-ON	1	4HP20.SOL10
VALVE BODY PARTS				
750H	Damper Plug (Rubber) (Early Design)	95-ON	4	5HP19.ACC01
751H	Damper Plug (Aluminium) (Late Design)	95-ON	4	5HP19.ACC02
Kit	Valve Body Service Kit.....	95-ON	1	4HP20.OHK04
NI	Manual Selector Valve	95-ON	1	4HP20.VA01
HARD PARTS				
800F	Pump Assy.....	95-ON	1	4HP20.PUM01
NI	Pump Bolt (M6 x 20mm)	95-ON	9	4HP20.NUT03
802A	Input Drum	95-ON	1	4HP20.DRU01
814C	'C'/'D' Disc Carrier (Except Box Codes 1019 000 005, 007, 008, 010, 018)	95-ON	1	4HP20.HUB01
804A	Oil Dam, 'B' Clutch.....	95-ON	1	4HP20.SP01
801A	'E' Clutch Piston (Aluminium) (Fits Codes: 1019 000 007, 008, 010, 018, 020, 022, 023, 025, 042, 050, 066, 071, 075, 081, 083)	95-ON	1	4HP20.PIS05
801A	'E' Clutch Piston (Aluminium) (Except Codes: 1019 000 007, 008, 010, 018, 020, 022, 023, 025, 042, 050, 066, 071, 075, 081, 083)	95-ON	1	4HP20.PIS04

ZF 4HP20 (LMO) (RENAULT,CITROEN,PEUGEOT,FIAT,ALFA,MERCEDES)

4 SPEED FWD (Electronic Control) Code: 1019 000 xxx



AUTOMATIC CHOICE



THE AUTOMATIC TRANSMISSION PARTS WAREHOUSE

ILL NO.	DESCRIPTION	YEARS	QTY	PART NO
HARD PARTS Cont...				
805A	Retaining Ring, 'E' Clutch Diaphragm	95-ON	1	4HP20.RET03
815C	Piston Retainer/Cylinder ('C' Brake)	95-ON	1	4HP20.RET05
817D	Retainer 'F' Clutch Diaphragm..	95-ON	1	4HP20.RET04
818D	'F' Clutch Piston	95-ON	1	4HP20.PIS06
819E	Slotted Nut, Output Bearing.....	95-ON	1	4HP20.NUT01
820E	Tab Washer, Output Roller Bearing	95-ON	1	4HP20.RET02
821E	Bearing Plate, Output Gear	95-ON	1	4HP20.SUP01
822E	Spur Gear (58 Teeth) (Codes 1019 000 008, 010, 018, 019, 020, 023, 025, 031, 042, 047, 050, 062, 064, 065, 066, 068, 071, 075, 078, 081)	95-ON	1	4HP20.GE01
823E	Support & Output Gear Assy (Renault) (Codes 1019 000 008, 010, 018, 019, 020, 023, 025, 031, 042, 047, 050, 062, 064, 065, 066, 068, 071, 075, 078, 081, 083)	95-ON	1	4HP20.SUP02
827E	Seal Protection Ring L/H (Alfa Romeo) (Codes: 1019 000 019, 024, 062,)	95-ON	1	4HP20.RET06
830E	Side Shaft (19/68 Teeth) (Codes 1019 000 007, 022, 024, 058, 073, 074)	95-ON	1	4HP20.GE02
831F	End Cover (Mercedes) (Codes 1019 000 027, 049, 060)	95-ON	1	4HP20.COV01
833G	Oil Tank (Plastic) (Codes 1019 000 009, 010, 013, 015, 016, 017, 018, 020, 031, 032, 037, 041, 042, 044, 045, 046, 047, 048, 053, 054, 055, 056, 063, 066, 075, 081, 083)	95-ON	1	4HP20.RET07
NI	Retainer (L.H. Diff Seal).....	95-ON	1	4HP20.RET01
SPECIAL ITEMS				
900F	Oil Dam (Fits Behind Pump seal)	95-ON	1	5HP19.THW01
901G	Oil Cooler Assy (Renault/Matra) (Codes 1019 000 016, 031, 032, 047, 048)	95-ON	1	4HP20.COO01
901G	Oil Cooler Assy (Peugeot/Fiat) (Codes 1019 000 067, 068, 073, 074, 075, 077, 078, 081)	95-ON	1	4HP20.COO02
902G	Union Bolt, Oil Cooler (Except Codes 1019 000 007, 008, 019, 021, 022, 023, 024, 025, 027, 049, 050, 060, 062, 071)	95-ON	2	4HP20.NUT02
NI	LifeGuardFluid5 x 1Ltr Bottle (Esso LT71141).....	95-ON	AR	OIL.50
NI	LifeGuardFluid5 x 20Ltr Canister (Esso LT71141).....	95-ON	AR	OIL.51
NI	LifeGuardFluid5 x 209Ltr Drum (Esso LT71141).....	95-ON	AR	OIL.52
TOOLS & MANUALS				
NI	OEM Repair Manual	95-ON		4HP20.MAN01
NI	Electrical Information Manual (Peugeot)	95-ON		4HP20.MAN02
NI	Test Plate for Tester TOOL.139 (Click Here for Details).....	95-ON	1	4HP20.TOOL02

ILL NO.	DESCRIPTION	YEARS	QTY	PART NO
---------	-------------	-------	-----	---------