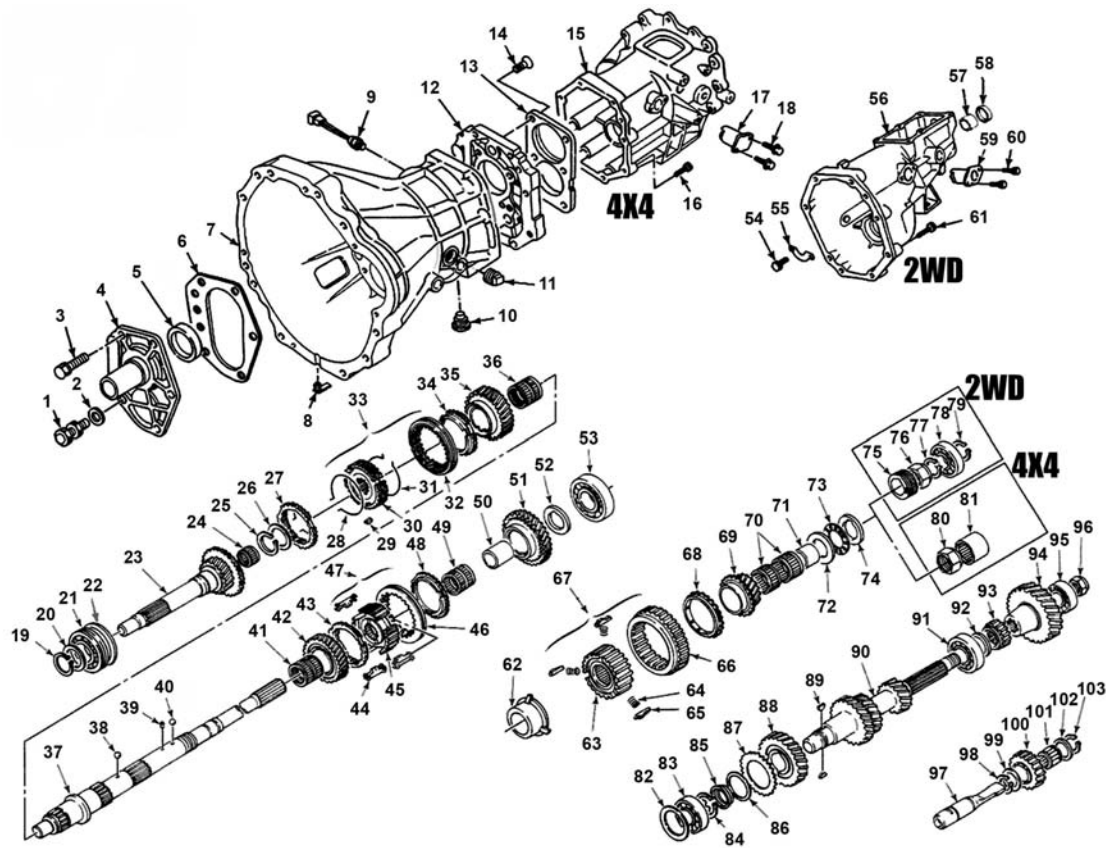


# NISSAN® FS5W71- STYLE (4 CYL. TRUCK/CAR, V6 CAR)



ILL #	MIDWEST #	REF #	REPLACEMENT PART DESCRIPTION
4	NIS-6 NIS-6A		FRONT BEARING RETAINER - 1974-83 FRONT BEARING RETAINER - 1984-ON
5	1981		FRONT BEARING RETAINER - SEAL
21	306L		INPUT - BEARING
23	NIS-16 NIS-16A NIS-16B		INPUT - 1986-ON, 4X4 (21/32T) INPUT - 1986-93, 2WD (21/32T) INPUT - 1986-ON, 4X4 (21-32T)
24	K20X26X20		INPUT - POCKET BEARING
27	NIS-14  NIS-14G  NIS-14U		SYNCHRO RING - 4TH, 1974-7/93, 2WD SYNCHRO RING - 4TH, 1984-7/93, 4X4 SYNCHRO RING - 4TH, 7/93-ON, 2WD / 4X4 SYNCHRO RING - 4TH, 1998-ON, 2WD / 4X4 (FRONTIER) SYNCHRO RING - 4TH, 2000-ON, 2WD / 4X4 (XTERRA)
34	NIS-14  NIS-14G  NIS-14Q NIS-14R		SYNCHRO RING - 3RD, 1974-7/93, 2WD SYNCHRO RING - 3RD, 1980-7/93, 4X4 SYNCHRO RING - 3RD, 7/93-ON, 2WD / 4X4 SYNCHRO RING - 3RD, 1998-ON, 2WD / 4X4 SYNCHRO RING - 3RD, (OUTER) 2000-ON, 2WD / 4X4 (XTERRA) SYNCHRO RING - 3RD, (INNER) 2000-ON, 2WD / 4X4 (XTERRA)
37	NIS-2 NIS-2A		MAINSHAFT - 11/85-8/86 (4X4 MARRIED) MAINSHAFT - 8/86-ON (4X4 MARRIED)
39/62	NIS-5A NIS-5 NIS-5C NIS-5B		KIT - 5TH GEAR SET, 1978-85, 4X4 (24T/45T) KIT - 5TH GEAR SET, 1986-93, 4X4 (21T/39T) KIT - 5TH GEAR SET, 1993-ON, 4X4 (21T/39T) KIT - 5TH GEAR SET, 1986-ON, 2WD (22T/37T)
43	NIS-14		SYNCHRO RING - 2ND, 1974-7/93, 2WD SYNCHRO RING - 2ND, 1980-7/93, 4X4
43	NIS-14B NIS-14Q		SYNCHRO RING - 2ND, 6/86-7/93, 2WD / 4X4 SYNCHRO RING - 2ND, (OUTER) 7/93-ON, 4X4 SYNCHRO RING - 2ND, (OUTER) 7/93-1996, 2WD SYNCHRO RING - 2ND, (OUTER) 1998-ON, 4X4 (FRONTIER) SYNCHRO RING - 2ND, (OUTER) 2000-ON, 2WD / 4X4 (XTERRA)

## NISSAN® FS5W71 - STYLE (cont.) (4 CYL. TRUCK/CAR, V6 CAR)

ILL #	MIDWEST #	REF #	REPLACEMENT PART DESCRIPTION
	NIS-14R		SYNCHRO RING - 2ND, (INNER) 7/93-ON, 4X4 SYNCHRO RING - 2ND, (INNER) 7/93-96, 2WD SYNCHRO RING - 2ND, (INNER) 1998-ON, 4X4 (FRONTIER) SYNCHRO RING - 2ND, (INNER) 2000-ON, 2WD / 4X4 (XTERRA)
	NIS-14U		SYNCHRO RING - 2ND, 1997-ON, 2WD SYNCHRO RING - 2ND, 1998-ON, 2WD (FRONTIER)
48	NIS-14		SYNCHRO RING - 1ST, 1974-6/86, 2WD SYNCHRO RING - 1ST, 1980-6/86, 4X4 SYNCHRO RING - 1ST, 6/86-7/93, 2WD / 4X4 SYNCHRO RING - 1ST, 7/93-ON, 2WD / 4X4 SYNCHRO RING - 1ST, 1998-ON, 2WD / 4X4 (FRONTIER) SYNCHRO RING - 1ST, 2000-ON, 2WD / 4X4 (XTERRA)
	NIS-14B		
	NIS-14U		
53	306		MAINSHAFT - BEARING (CENTER)
57	NISSAN-62		RR. EXT. HOUSING - BUSHING, 2WD
58	13944		RR. EXT. HOUSING - SEAL, 2WD
62			SEE #39
66	NIS-36		REVERSE SLIDER - 1981-92 (36T)
	NIS-37		REVERSE SLIDER - 1993-ON (36T)
68	NIS-14A		SYNCHRO RING - 5TH - ALL
76	NIS-204		MAINSHAFT - NUT (REVERSE THREAD)
	NIS-204A		MAINSHAFT - NUT (NORMAL THREAD)
78	205		MAINSHAFT - BEARING (REAR)
80	NIS-204		MAINSHAFT - NUT (REVERSE THREAD)
	NIS-204A		MAINSHAFT - NUT (NORMAL THREAD)
83	63/22		COUNTERSHAFT - BEARING, 1974-83 (FRONT)
90	NIS-8		COUNTERSHAFT - 1986-ON, 4X4
91	305		COUNTERSHAFT - BEARING (CENTER)
93	NIS-46		COUNTERSHAFT - REVERSE GEAR (15T)
95	204		COUNTERSHAFT - BEARING (REAR) (BALL TYPE)
	NIS-29		COUNTERSHAFT - BEARING (REAR) (ROLLER TYPE)
96	NIS-220		COUNTERSHAFT - NUT
100	NIS-10		REVERSE IDLER - (21T)
	NIS-10A		REVERSE IDLER - (22T)
	NIS-14T		SYNCHRO RING - REVERSE, 1993-ON, 4X4 SYNCHRO RING - REVERSE, 1996-ON, 2WD MAINSHAFT - REVERSE GEAR, 1993-ON MAINSHAFT - REVERSE SLIDER, 1993-ON KIT - REVERSE, 1981-93 (#55, 93, 100)
	NIS-37		
	NIS-40		
	NIS-REVKIT		

### KITS

	BEARING, SEAL & GASKET KITS
T104R	-200SX: 80-84 FS5W71C 2WD (2.0L, 2.2L)
T313R	-200SX: 84-86 FS5W71C 2WD (1.8L) (TURBO)
	-200SX: 84-88 FS5W71C 2WD (2.0L)
	-200SX: 87-88 FS5W71C 2WD (3.0L)
	-240SX: 88-97 FS5W71H 2WD (2.4L)
T133RE	-240SX: 93-97 FS5W71H 2WD (2.4L) (POCKET NDL. BEARING - 31mm)
T104R	-280Z: 77-78 FS5W71A 2WD (2.8L)
	-280ZX: 79-83 FS5W71A 2WD (2.8L)
T313R	-300ZX: 83-89 FS5W71C 2WD (3.0L)
T173R	-510: 78-81 FS5W71C 2WD (1.8L)
T104R	-720 SERIES: 74-84 2WD / 4X4 FS5W71A, C (2.0L)
T313R	-720 SERIES: 84-86 2WD / 4X4 FS5W71C (2.4L, 2.5L)
T104R	-810: 79-81 FS5W71A, C 2WD (2.4L, 2.8L DIESEL)
T122RE	-FRONTIER: 98-00 FS5W71C 4X4 (2.4L)
T133RE	-FRONTIER: 98-ON FS5W71C 2WD (2.4L)
T313R	-HARDBODY: 86-97 FS5W71E 2WD (2.4L, 2.5L)
T122R	-HARDBODY: 86-89 FS5W71G 4X4 (2.4L) (RR. C/S BEARING = BALL TYPE)
T122RA	-HARDBODY: 90-96 FS5W71G 4X4 (2.4L) (RR. C/S BEARING = ROLLER TYPE)
T122RE	-HARDBODY: 96-98 FS5W71G 4X4 (2.4L) (POCKET NDL. BEARING = 31mm)
T104R	-MAXIMA: 82-84 FS5W71C (2.4L, 2.8L DIESEL)

## NISSAN® FS5W71- STYLE (cont.) (4 CYL. TRUCK/CAR, V6 CAR)

ILL #	REPLACEMENT PART DESCRIPTION
	<b>BEARING, SEAL &amp; GASKET KITS (cont.)</b>
T122R	-PATHFINDER: 86-88 FS5W71G (2.4L)
T313R	-VAN: 87-90 F4W71E, 2WD
T133RE	-XTERRA: 00-ON FS5W71C (2.4L) 2WD
T122RE	-XTERRA: 00-ON FS5W71G 4X4 (2.4L)
	<b>BEARING, SEAL &amp; GASKET KITS (W/RINGS)</b>
T104RMK	-200SX: 80-84 FS5W71C, 2WD (2.0L, 2.2L) (ALL RINGS SAME SIZE AND TYPE)
T313RAMK	-200SX: 84-86 FS5W71C, 2WD (1.8L) (TURBO)
	-200SX: 84-88 FS5W71C, 2WD (2.0L) (2ND SNCHRO RING = 1 PC.)
	-200SX: 87-88 FS5W71C, 2WD (3.0L)
T313RBMK	-200SX: 1988 FS5W71, 2WD (2.0L, 3.0L) (2ND SYNCHRO RING = 2 PC.)
T313RCMK	-240SX: 93-97 FS5W71H, 2WD (2.4L)
T104RAMK	-280Z: 77-78 FS5W71A, 2WD (2.8L) (FIBER STYLE 5TH RING NOT INCLUDED)
	-280ZX: 79-80 FS5W71A, 2WD (2.8L) (FIBER STYLE 5TH RING NOT INCLUDED)
T104RMK	-280ZX: 80-83 FS5W71A, 2WD (2.4L, 2.8L DIESEL) (5TH RING = BRASS)
T313RAMK	-300ZX: 83-87 FS5W71C, 2WD (3.0L)
T313RBMK	-300ZX: 87-88 FS5W71C, 2WD (3.0L) (2ND SYNCHRO RING = 2 PC.)
T104RMK	-720 SERIES: 80-82 FS5W71C, 2WD / 4X4 (2.2L) (FRT. C/S BRG. = 60mm)
	-720 SERIES: 82-84 FS5W71C, 2WD / 4X4 (2.0L, 2.4L, 2.5L) (FRT. C/S BRG. = 60mm OD)
T313RMK	-720 SERIES: 84-86 FS5W71C, 2WD / 4X4 (2.0L, 2.4L, 2.5L) (FRT. C/S BRG. - 61mm OD)
T104RAMK	-810: 79-80 FS5W71A, 2WD (2.0L) (FIBER STYLE 5TH RING NOT INCLUDED)
T122REMK	-FRONTIER: 98-00 FS5W71C, 4X4 (2.4L)
T313RAMK	-HARDBODY: 88-89 F4W71E, 2WD (2.4L) (4 SPEED)
T313RAMK	-HARDBODY: 86-83 FS5W71E, 2WD (2.4L)
T313RAMK	-HARDBODY: 86-93 FS5W71E, 2WD (2.5L) (DIESEL)
T313RBMK	-HARDBODY: 93-95 FS5W71E, 2WD (2.4L) (2ND SYNCHRO RING = 2 PC.)
T313RCMK	-HARDBODY: 1996 FS5W71E, 2WD (2.4L) (2ND SYNCHRO RING = 2 PC.)
T313RDMK	-HARDBODY: 1997 FS5W71E, 2WD (2.4L) (SINGLE PC. RINGS + REV. SYNCHRO RING)
T122RMK	-HARDBODY: 86-89 FS5W71G, 4X4 (2.4L) (RR. C/S BRG. = BALL TYPE)
T122RAMK	-HARDBODY: 90-92 FS5W71G, 4X4 (2.4L) (RR. C/S BRG. = ROLLER TYPE)
T122RBMK	-HARDBODY: 92-93 FS5W71G, 4X4 (2.4L) (INCLUDES REV. SYNCHRO RING)
T122RCMK	-HARDBODY: 93-96 FS5W71G, 4X4 (2.4L) (INCLUDES REV. SYNCHRO RING)
T122REMK	-HARDBODY: 96-98 FS5W71G, 4X4 (2.4L) (POCKET NDL. BRG. - 31mm)
T122RMK	-PATHFINDER: 86-88 FSS5W71G (2.4L)
T313RAMK	-VAN: 87-90 F4W71E, 2WD (2.4L) (4 SPEED)
T122RFMK	-XTERRA: 2000-ON FS5W71G, 2WD
T313RGMK	-XTERRA: 2000-ON FS5W71G, 4X4



Visit us online to find installation kits and more!

[www.motivegear.com](http://www.motivegear.com)