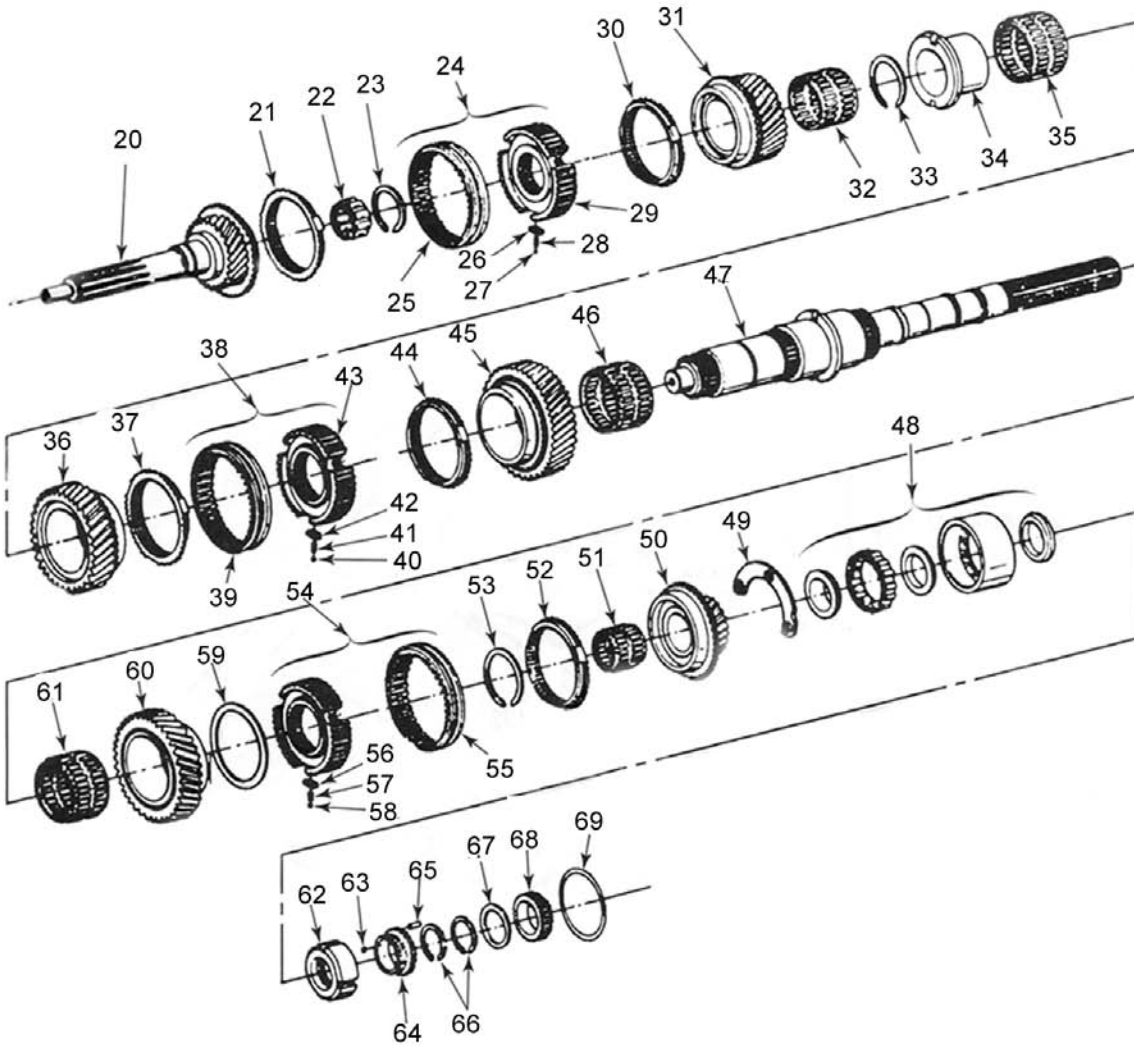
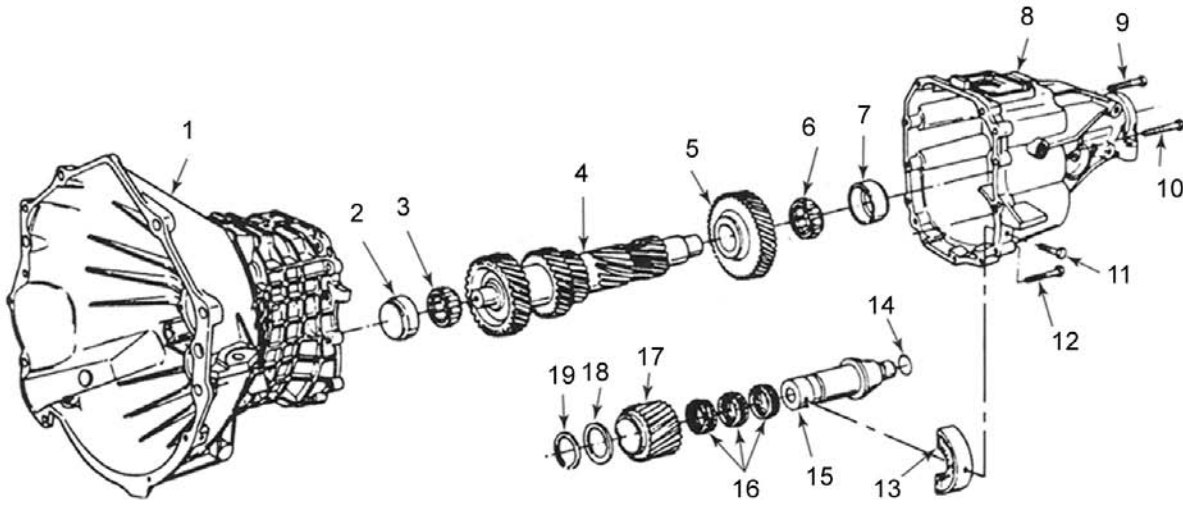


**NV1500 - STYLE  
REPLACES CHEVY S10 - 1996 & UP  
4 CYL.**



## NV1500 - STYLE (cont.)

ILL #	MIDWEST #	REF #	REPLACEMENT PART DESCRIPTION
1	NV22349		CASE ASSY - FRONT HALF
3	FC68336	NV22346	BEARING, COUNTERSHAFT FRONT
4	NV22346	12382734	COUNTERSHAFT ASSY - ALL
5	NV20637	12382735	5TH GEAR, COUNTERSHAFT
6	206L	NV20534	BEARING, COUNTERSHAFT REAR
6	NV21402	12382732	FRONT BEARING RETAINER
8	NV20301	12549380	CASE ASSY - REAR HALF
13	NV26065		COLLAR, REVERSE IDLER SHAFT
14	NV23499	12382772	O-RING, REVERSE IDLER SHAFT (2 REQ.)
15	NV20653	12382737	SHAFT, REVERSE IDLER
17	NV20638	12382739	REVERSE IDLER GEAR - ALL
20	NV20632	12549428	INPUT SHAFT ASSY - ALL
22	NV23941	12382868	NEEDLE BEARING, INPUT POCKET
23	NV21384	12549388	SHIFT FORK 1-2
23A	NV28886	12549387	SHIFT FORK 3-4
23B	NV21382	12549386	SHIFT FORK 5-REV.
24	NV23186	12382768	SYNCHRO ASSY 3-4
26	NV20573	12549411	SYNCHRO KEY - ALL
28	NV20572	12549416	SYNCHRO SPRING - ALL
31	NV26453	12382858	3RD GEAR, MAIN SHAFT
33	NV21433	12549404	RETAINER, REAR BEARING
36	NV25670	12382850	2ND GEAR, MAIN SHAFT
37	NV20950	12549405	SYNCHRO RING 1-2 OUTER, 3-4-5
38	NV23186	12382766	SYNCHRO ASSY, 5-REV.
38	NV21553	12549415	SYNCHRO ASSY 1-2
45	NV21385	12549414	1ST GEAR, MAIN SHAFT
47	NV21442	12549399	MAIN SHAFT - ALL
48	306L	NV20526	BEARING, M/S REAR
50	NV24994	12382797	5TH GEAR, MAIN SHAFT
54	NV22337	12549389	SHIFT SHAFT
60	NV24799	12382794	REVERSE GEAR, M/S
60	NV23326	12382770	SOCKET - SHIFT SHAFT
68	NV20510	12549400	SPEEDO RING, MAGNETIC
75	NV21008	12549329	SEAL - MAIN SHAFT
76	NV18127	8672236	BUSHING - MAIN SHAFT
91	NV21042	12382733	SEAL, INPUT
96	306L		BEARING, INPUT
N.I.	NV21559	12549417	SYNCHRO RING, CENTER 1-2
N.I.	NV21581	12549418	SYNCHRO RING, INNER 1-2
154	NV20652	12549413	SYNCHRO RING - REVERSE

### KITS

T416R	BEARING, GASKET & SEAL KIT
T416MK	BEARING, GASKET & SEAL KIT
RK1500	SYNCHRO RING KIT